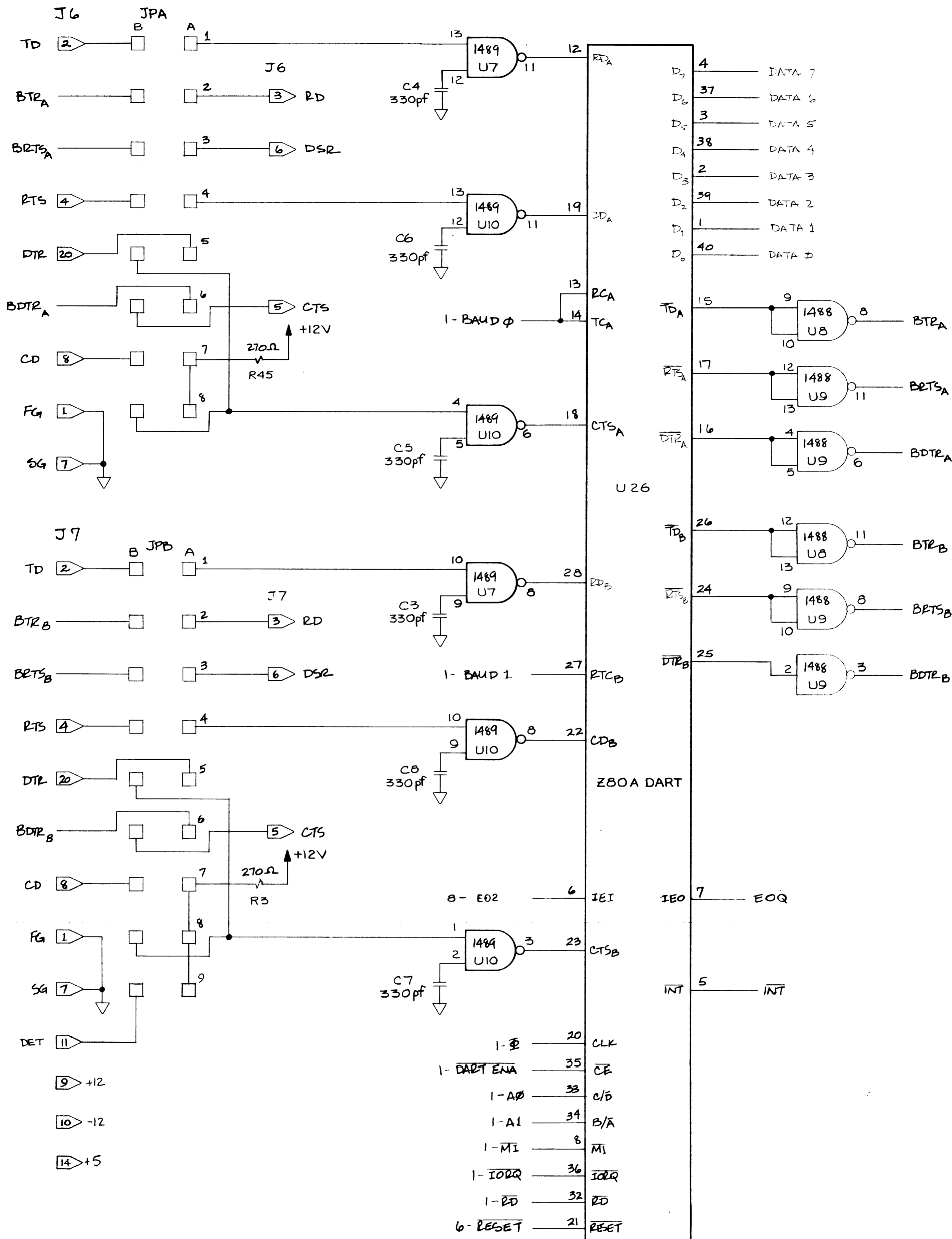
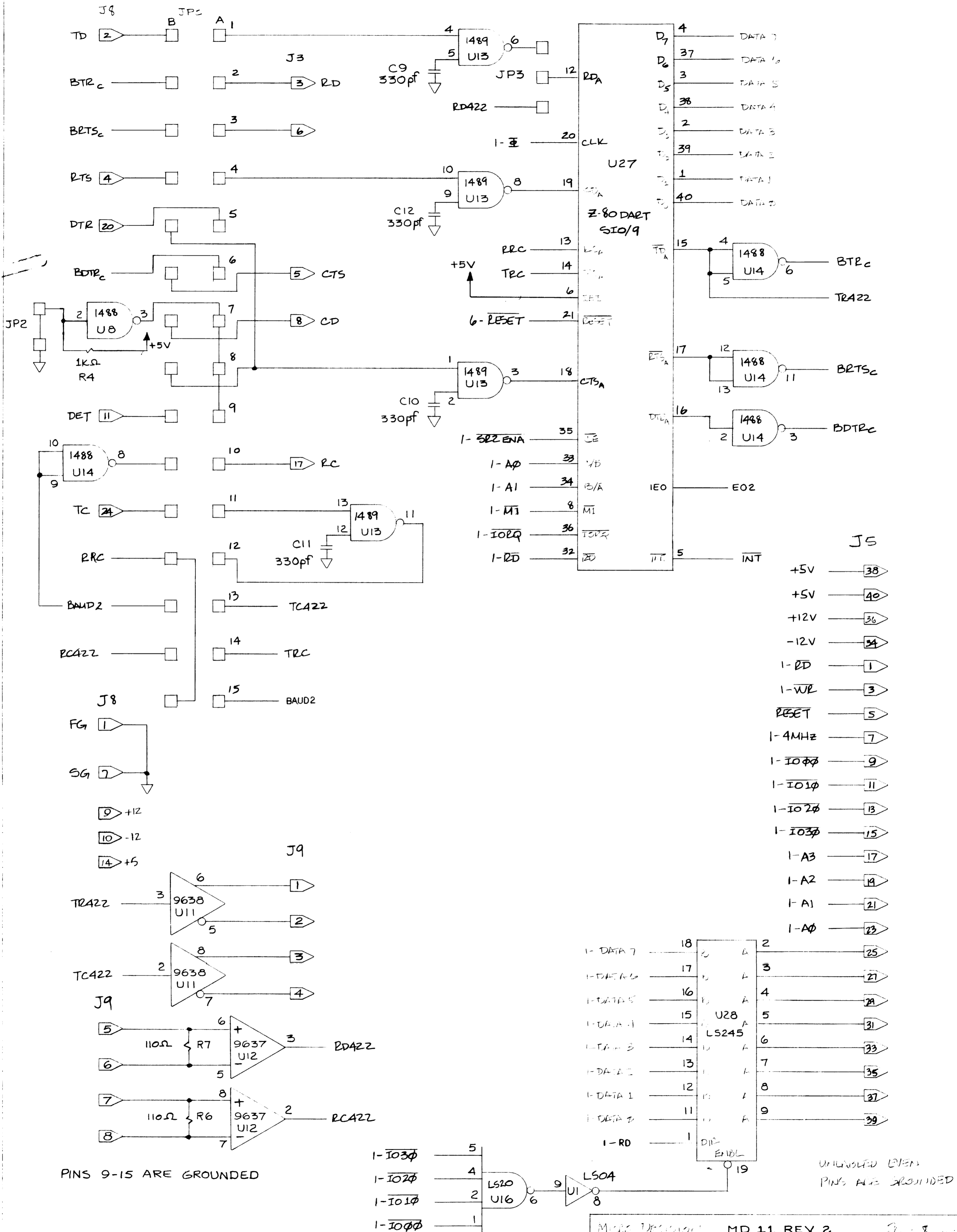


PINS 2,4,6,8,12,16,20,11,19 ARE GROUNDING ON BOTH J3A AND J3B







PINS 9-15 ARE GROUNDING

UNLABLED PINS PINS ARE GROUNDING