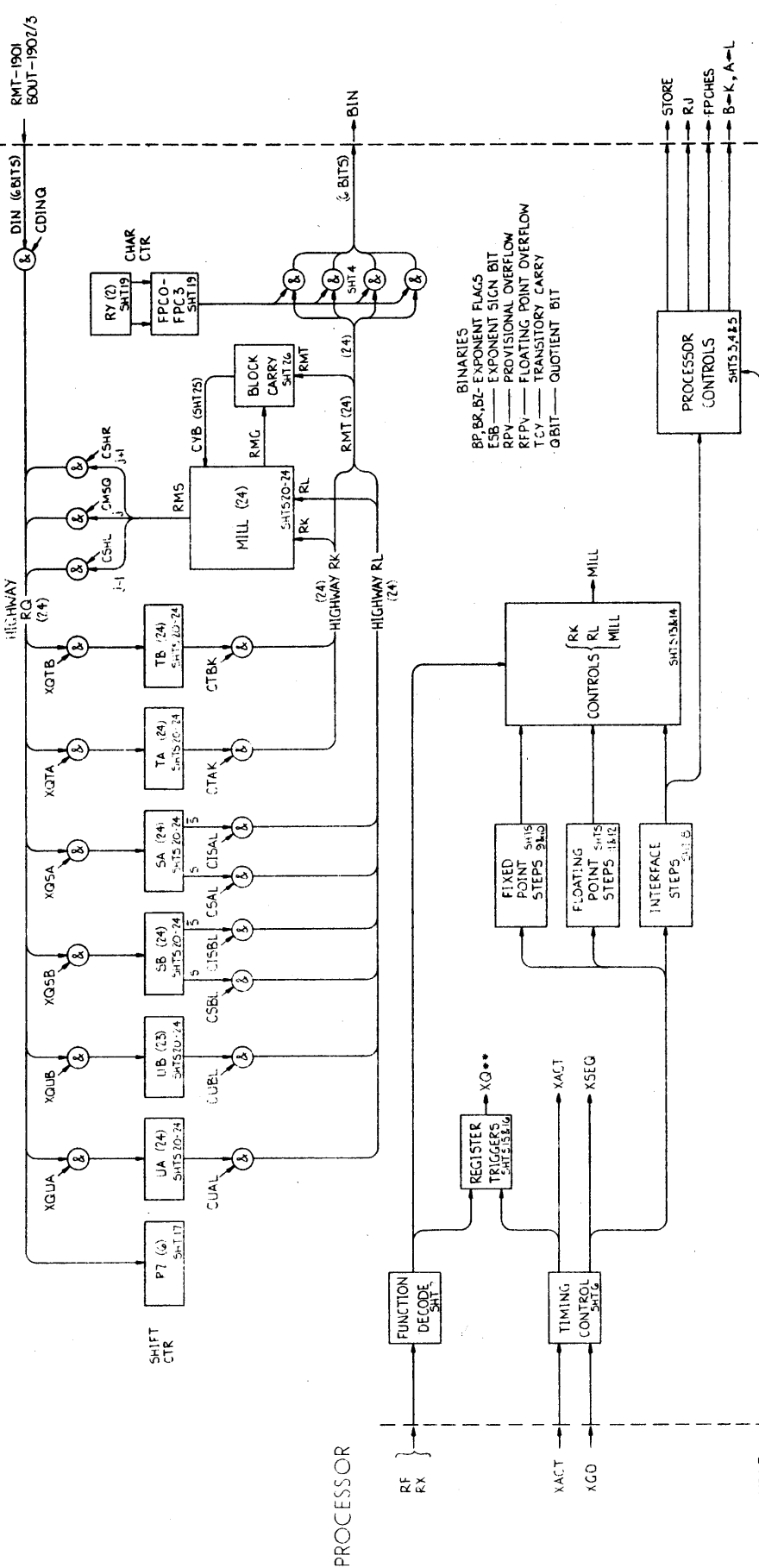


ISS. 1 P 445-10 10.66
3 11:50 K6mk 1-67

CHANGES

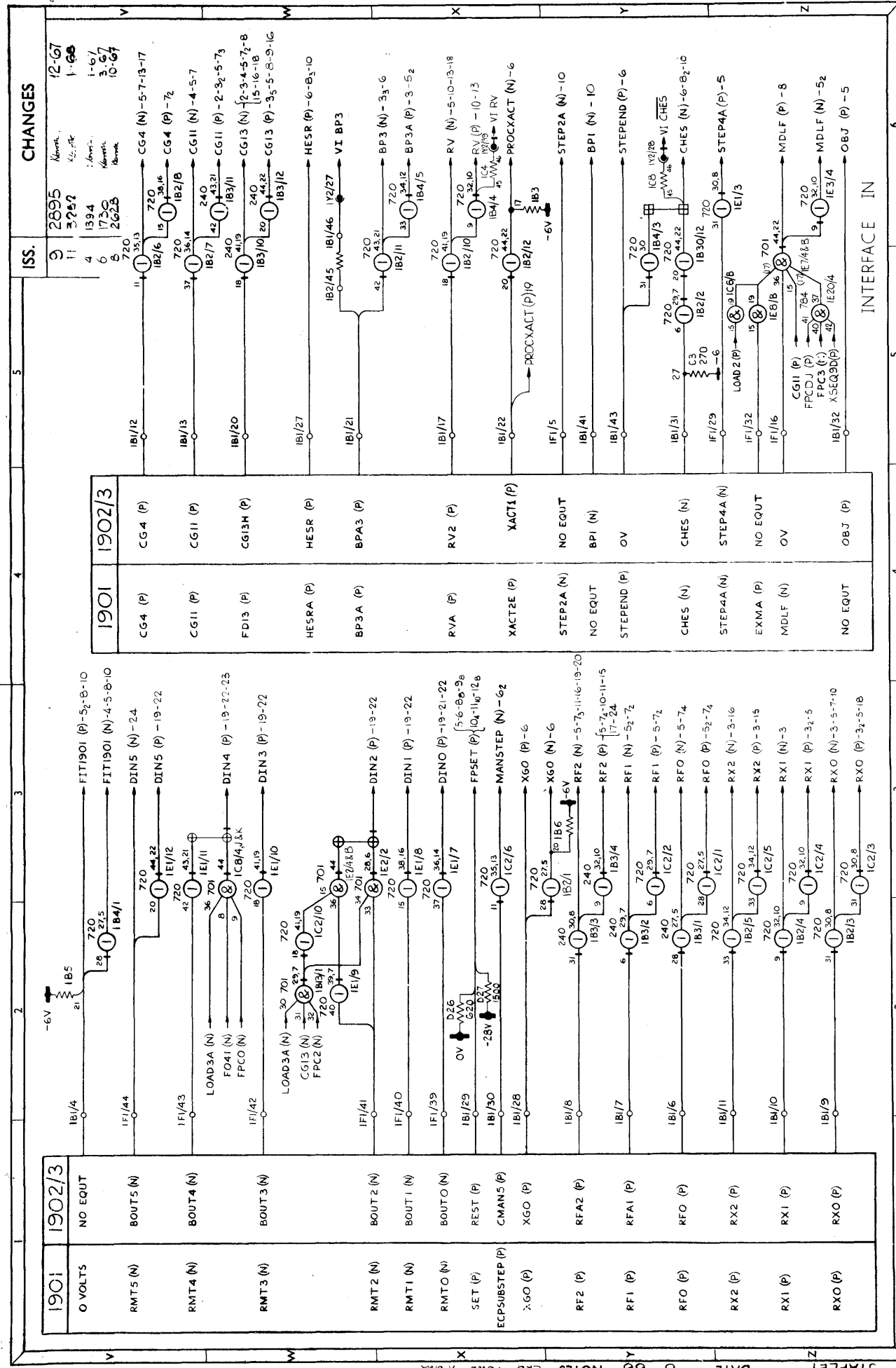
NOTES:
1. CROSS REFERENCING—FOR SIGNAL SOURCES SEE SHEETS 39 TO 42
2. PIN NUMBERS USED MORE THAN ONCE ARE SHOWN BRACKETED
3. WITH BRACKETS SOURCES SUCH AS 18/4/37* THE ASTERISK DENOTES THAT 37 APPLIES TO THE PIN NUMBER AND NOT THE MONITORING POINT

PROCESSOR



<p>1900 SCIENTIFIC UNIT LOGIC</p>	<p>5016360 / 3</p>	<p>DIAGRAM</p>	ISSUE	1	<p>1900 SCIENTIFIC UNIT LOGIC</p>
			CAT	D	
			<p>ISSUE SHEET SHEET</p>		
			<p>SHEET 1 2 3 4 5 6 7 8 9 10 11 12 13 14 15 16 17 18 19 20 21 22 23 24 25 26 27 28 29 30</p>		
			<p>ISSUE NUMBERS OF OTHER SHEETS AT THE TIME OF ISSUING THIS SHEET.</p>		

DRAWN BY R. L. OWEN DATE 25-9-66 NOTES CHK PLUK K6mk



ISS.	CHANGES
9	2895
11	3722
4	1394
6	1750
5	2625
720	

1900 SCIENTIFIC LOGIC UNIT
 5016360 / 11 2
 DIAGRAM SHEET
 ISSUE SHEET
 CAT D
 ISSUE SHEET
 ISSUE NUMBERS OF OTHER SHEETS AT THE TIME OF ISSUING THIS SHEET.
 1 2 3 4 5 6 7 8 9 10 11 12 13 14 15 16 17 18 19 20 21 22 23 24 25 26 27 28 29 30

DRAWN BY STAPLEY
 DATE 8-66
 NOTES
 CKD
 POWE
 X-track



1900
SCIENTIFIC UNIT
LOGIC

5016360

11 / ISSUE

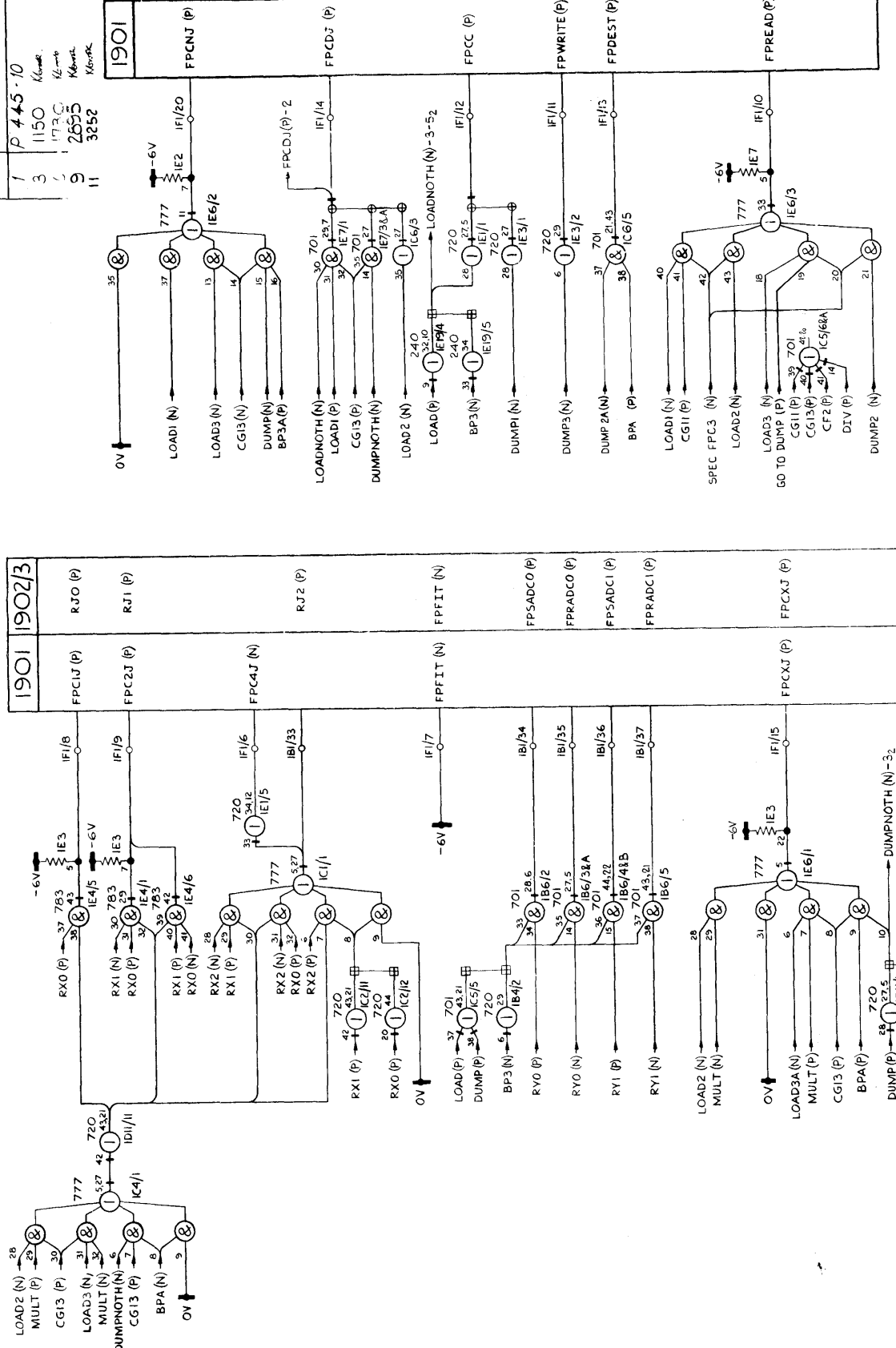
3 SHEET

D CAT

ISSUE SHEET

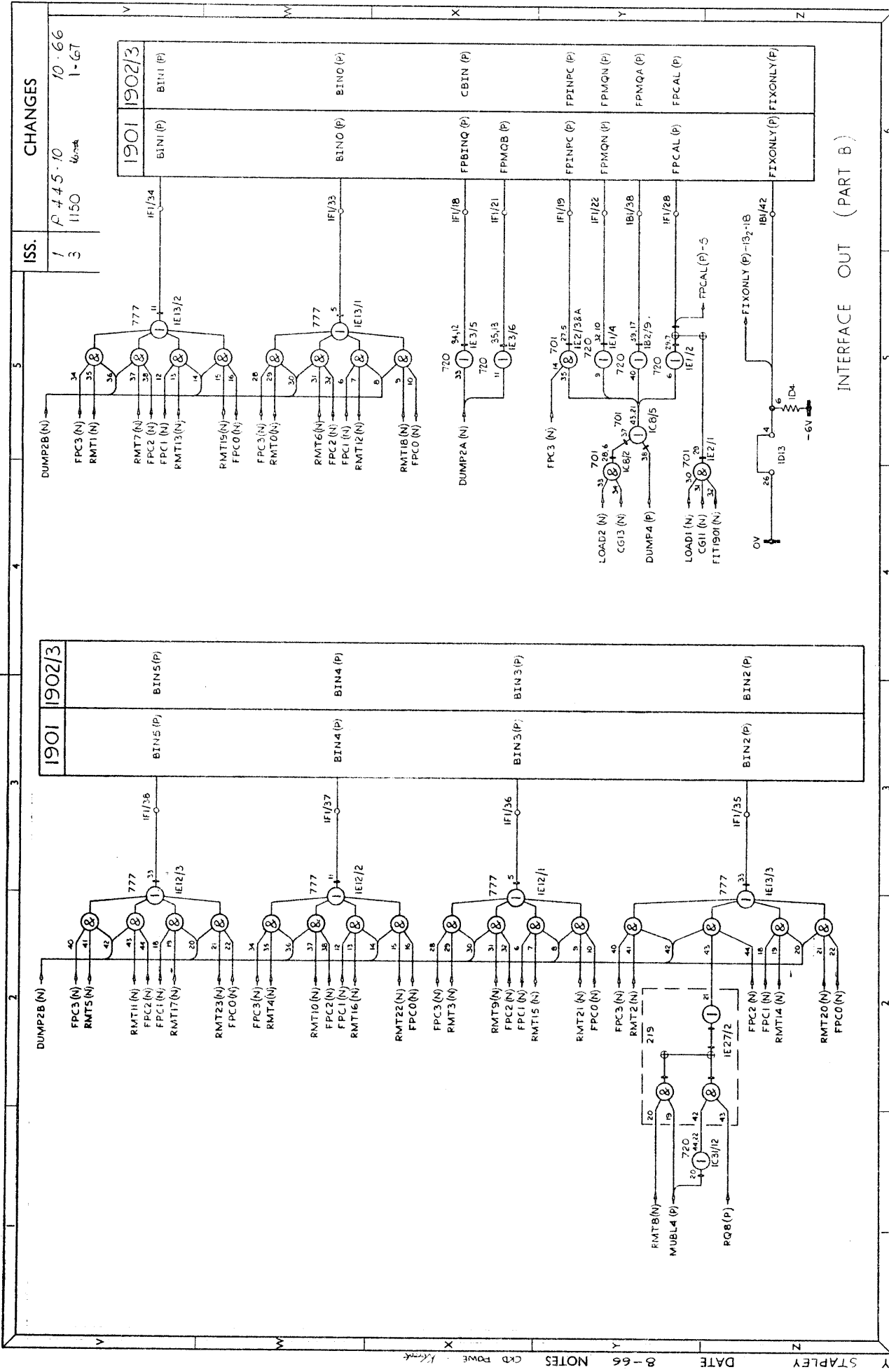
ISSUE NUMBERS OF OTHER SHEETS AT THE TIME OF ISSUING THIS SHEET.
1 2 3 4 5 6 7 8 9 10 11 12 13 14 15 16 17 18 19 20 21 22 23 24 25 26 27 28 29 30

INTERFACE OUT (PART A)



ISS.	CHANGES
1	P 445-10
3	1150
7	1713 C
9	2655
11	3652

1901	1902/3
FPCNJ (P)	FPCNJ (P)
FPC2J (P)	FPCDJ (P)
FPC4J (N)	FPCDJ (P)
FPFIT (N)	FPCC (P)
FPSADCO (P)	FPWRITE (P)
FPRADCO (P)	FPDEST (P)
FP5ADCI (P)	
FPRADCI (P)	
FPCXJ (P)	FPREAD (P)



DRAWN BY STAPLEY
DATE 8-66

NOTES
C/D POWE

1900 SCIENTIFIC UNIT LOGIC

5016360 / 3

DIAGRAM

ISSUE SHEET CAT

SHEET 4

ISSUE SHEET

ISSUE

CAT

D

1 2 3 4 5 6 7 8 9 10 11 12 13 14 15 16 17 18 19 20 21 22 23 24 25 26 27 28 29 30

ISSUE NUMBERS OF OTHER SHEETS AT THE TIME OF ISSUING THIS SHEET.

83120 E

CHANGES

ISS.	1	2445-10	10-66
	3	1150 46-44	1-67

1901 1902/3

BINI (P) BITI (P)

BINS (P) BIN4 (P)

BIN3 (P) BIN2 (P)

BIN4 (P) BIN3 (P)

BIN3 (P) BIN2 (P)

BIN2 (P) BIN1 (P)

FPBIN (P) FPMQB (P)

FPMQB (P) FPMON (P)

FPMON (P) FPMQA (P)

FPMQA (P) FPCAL (P)

FPCAL (P) FIXONLY (P)

FIXONLY (P) FIXONLY (P)

INTERFACE OUT (PART B)

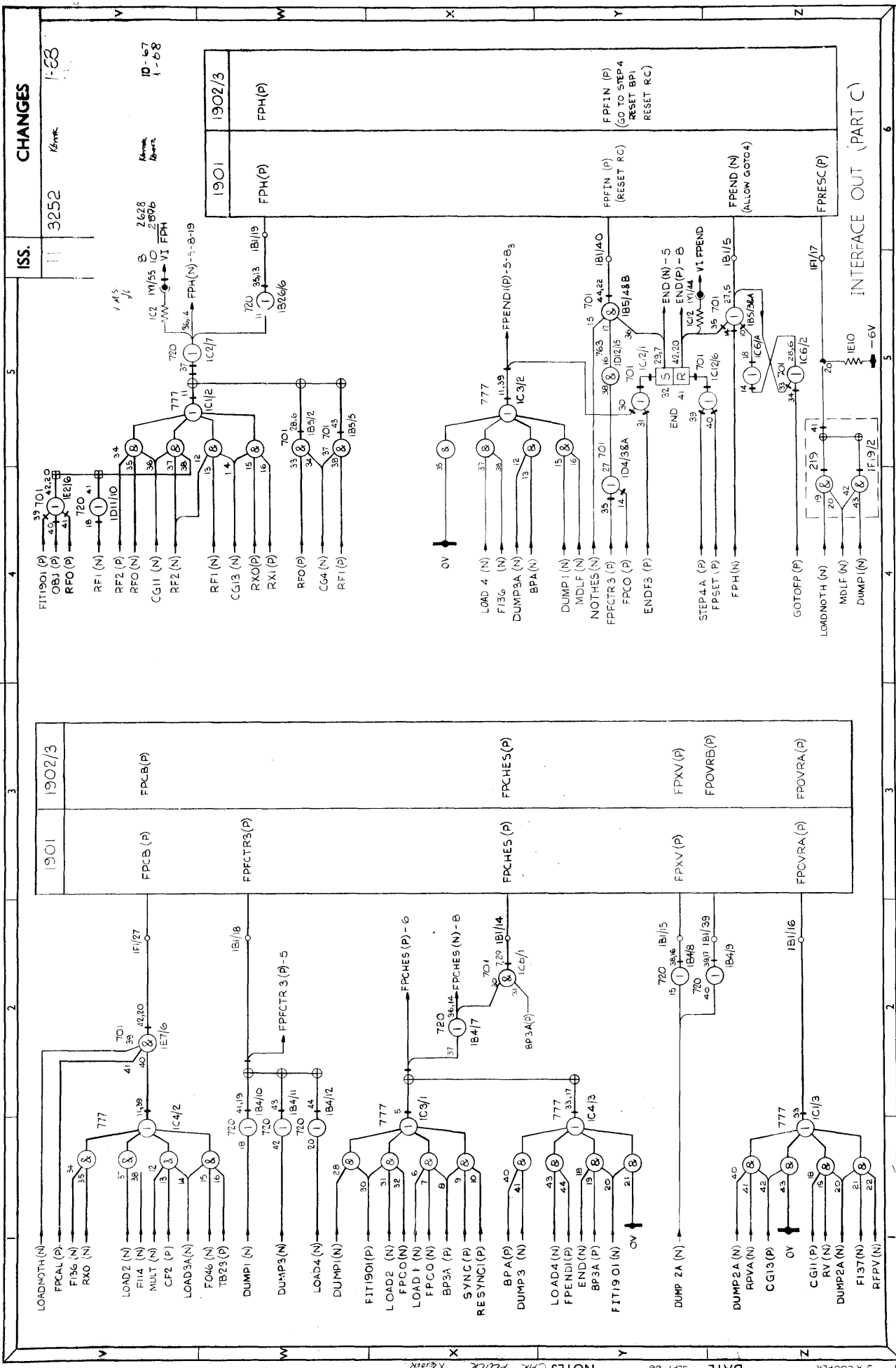
1901 1902/3

ISSUE SHEET CAT

1 2 3 4 5 6 7 8 9 10 11 12 13 14 15 16 17 18 19 20 21 22 23 24 25 26 27 28 29 30

ISSUE NUMBERS OF OTHER SHEETS AT THE TIME OF ISSUING THIS SHEET.

83120 E



CHANGES

ISS.	3252	1-68
		1-68

1901	FPCB (P)	1902/3	FPCB (P)
	FPECTR3 (P)		
	FPCHE3 (P)		FPCHE3 (P)
	FPXV (P)		FPXV (P)
	FPOVRA (P)		FPOVRA (P)

1901	FPCB (P)	1902/3	FPCB (P)
	FPECTR3 (P)		
	FPCHE3 (P)		FPCHE3 (P)
	FPXV (P)		FPXV (P)
	FPOVRA (P)		FPOVRA (P)

1901	FPCB (P)	1902/3	FPCB (P)
	FPECTR3 (P)		
	FPCHE3 (P)		FPCHE3 (P)
	FPXV (P)		FPXV (P)
	FPOVRA (P)		FPOVRA (P)

1901	FPCB (P)	1902/3	FPCB (P)
	FPECTR3 (P)		
	FPCHE3 (P)		FPCHE3 (P)
	FPXV (P)		FPXV (P)
	FPOVRA (P)		FPOVRA (P)

1901	FPCB (P)	1902/3	FPCB (P)
	FPECTR3 (P)		
	FPCHE3 (P)		FPCHE3 (P)
	FPXV (P)		FPXV (P)
	FPOVRA (P)		FPOVRA (P)



1900
SCIENTIFIC UNIT
LOGIC

5016360
DIAGRAM

ISSUE 11

SHEET 5

D CAT.

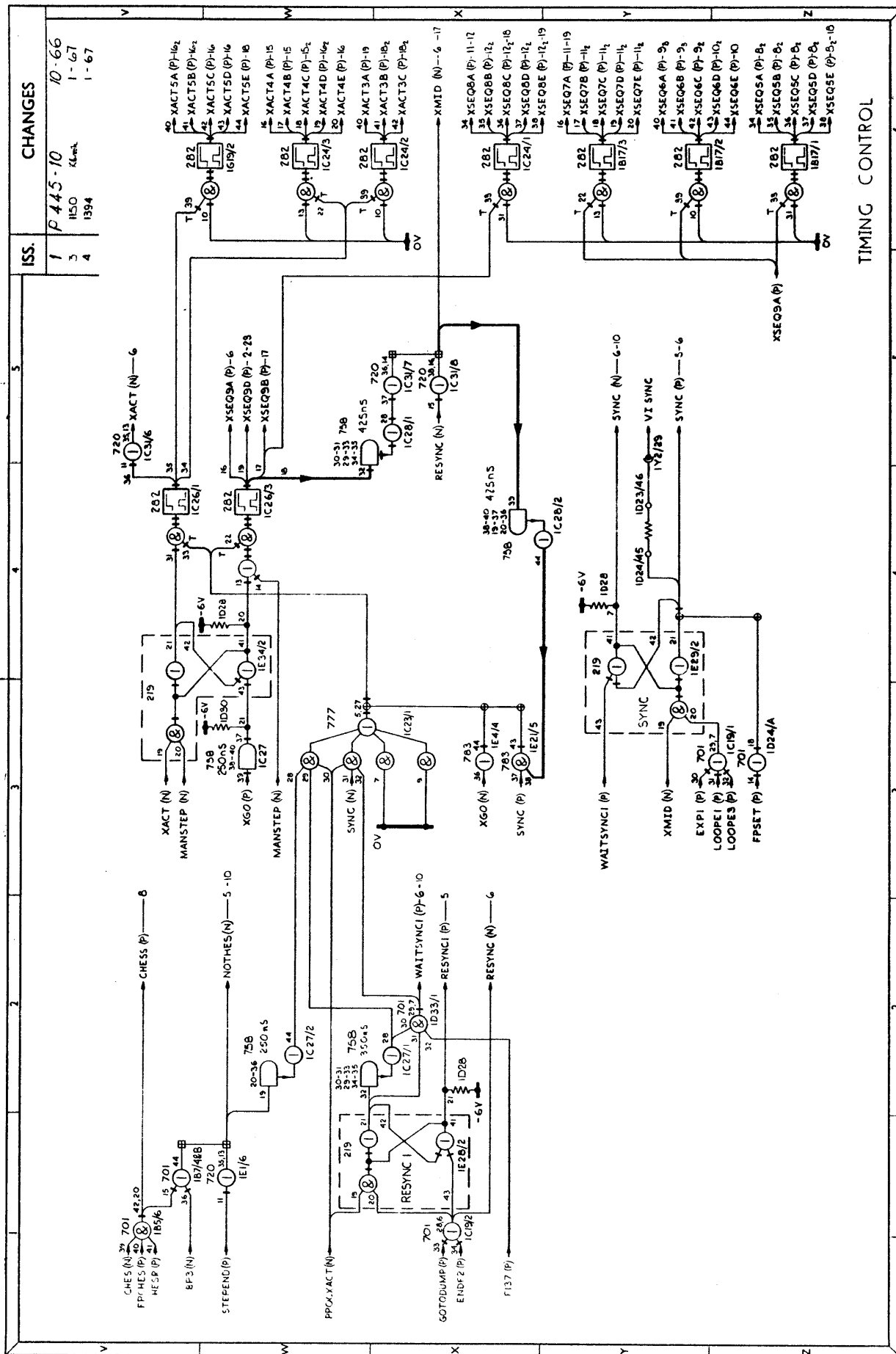
ISSUE

SHEET	1	2	3	4	5	6	7	8	9	10	11	12	13	14	15	16	17	18	19	20	21	22	23	24	25	26	27	28	29	30
-------	---	---	---	---	---	---	---	---	---	----	----	----	----	----	----	----	----	----	----	----	----	----	----	----	----	----	----	----	----	----

B

813128E

DRAWN BY S A COOPER DATE SEPT 66 NOTES CHK PUCK KERR



ISS.	1	2	3	4	5
	P 445-10				
	1150				
	1394				
	10-66				
	1-67				
	1-67				

ISSUE	1	2	3	4	5	6	7	8	9	10	11	12	13	14	15	16	17	18	19	20	21	22	23	24	25	26	27	28	29	30
SHEET																														
ISSUE NUMBERS OF OTHER SHEETS AT THE TIME OF ISSUING THIS SHEET.																														

1900 SCIENTIFIC UNIT LOGIC

5016360 / 4

DIAGRAM

ISSUE SHEET CAT

D

6



DRAWN BY STAPLEY

8-66

NOTES

DATE



1900 SCIENTIFIC UNIT LOGIC

5016360

DIAGRAM

ISSUE 8

SHEET 7

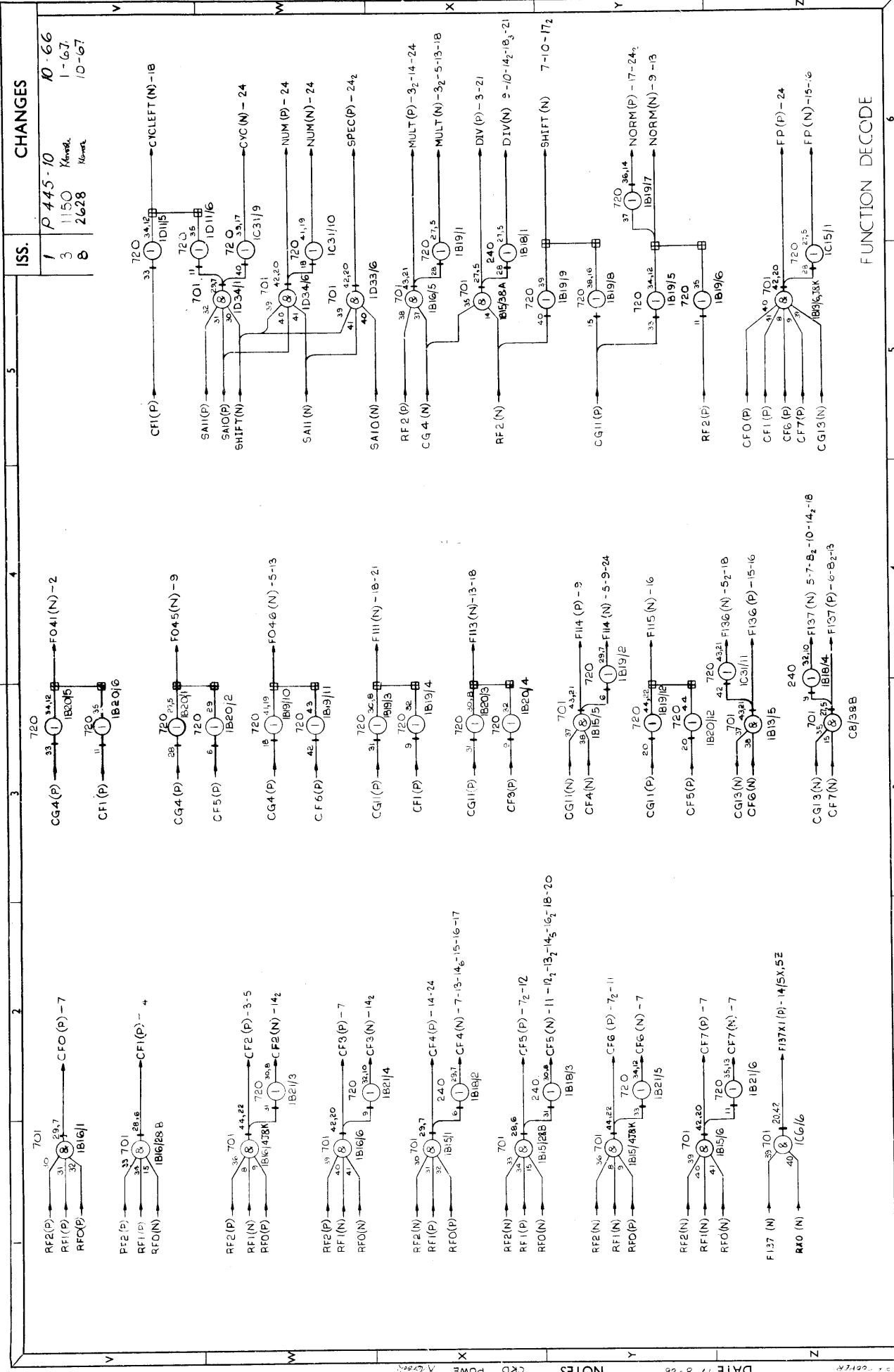
CAT D

ISSUE

1	2	3	4	5	6	7	8	9	10	11	12	13	14	15	16	17	18	19	20	21	22	23	24	25	26	27	28	29	30
---	---	---	---	---	---	---	---	---	----	----	----	----	----	----	----	----	----	----	----	----	----	----	----	----	----	----	----	----	----

ISSUE NUMBERS OF OTHER SHEETS AT THE TIME OF ISSUING THIS SHEET.

FUNCTION DECODE





1900
SCIENTIFIC UNIT
LOGIC

5016360
DIAGRAM

ISSUE / 11

SHEET 8

D CAT

ISSUE

SHEET	1	2	3	4	5	6	7	8	9	10	11	12	13	14	15	16	17	18	19	20	21	22	23	24	25	26	27	28	29	30
ISSUE NUMBERS OF OTHER SHEETS AT THE TIME OF ISSUING THIS SHEET.																														

DATE

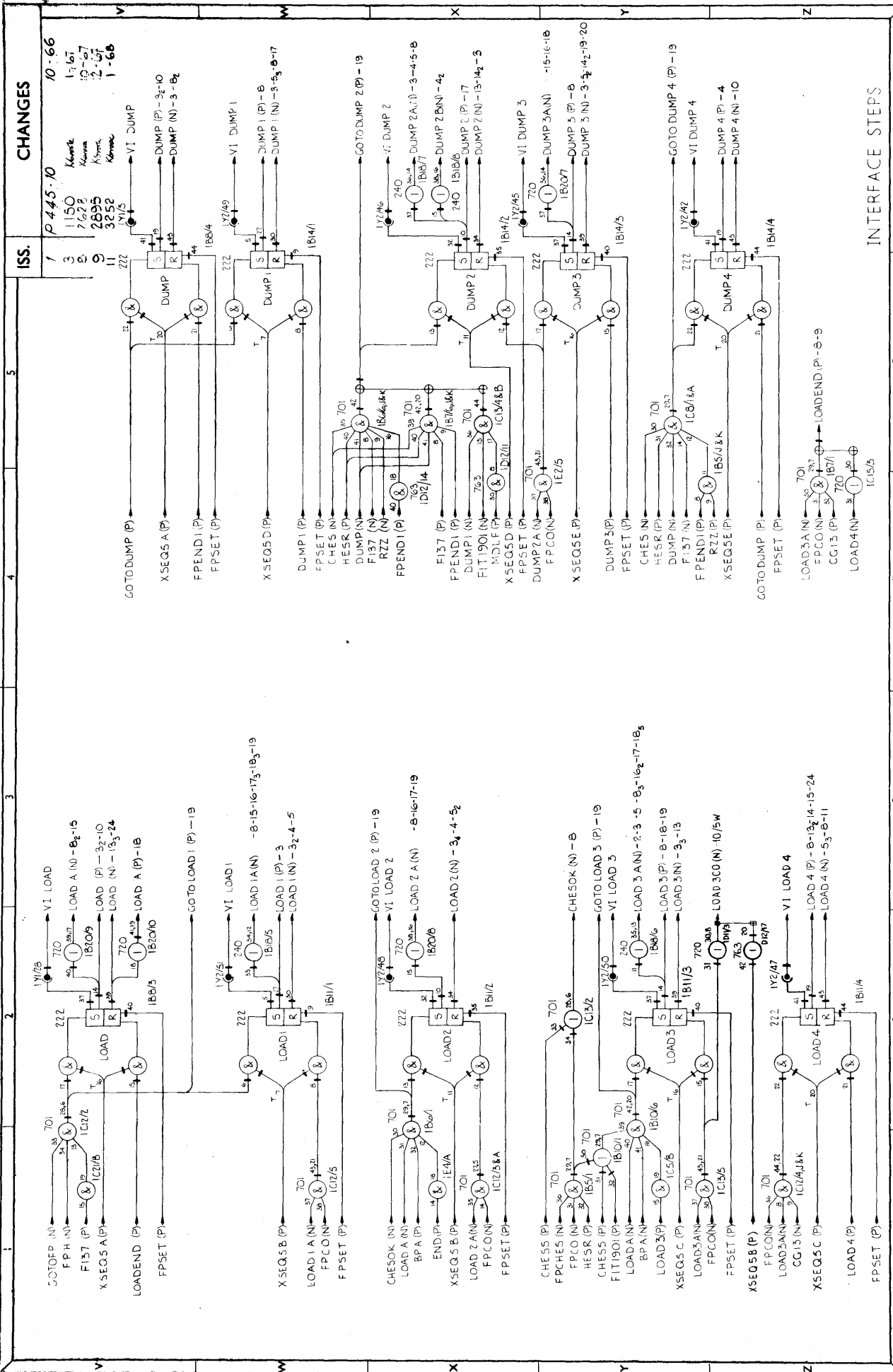
DRAWN BY R. J. OWEN

DATE 10-8-66

NOTES

CPD POWE

K-614





1900
SCIENTIFIC UNIT
LOGIC

DIAGRAM

5016360 / 8

ISSUE

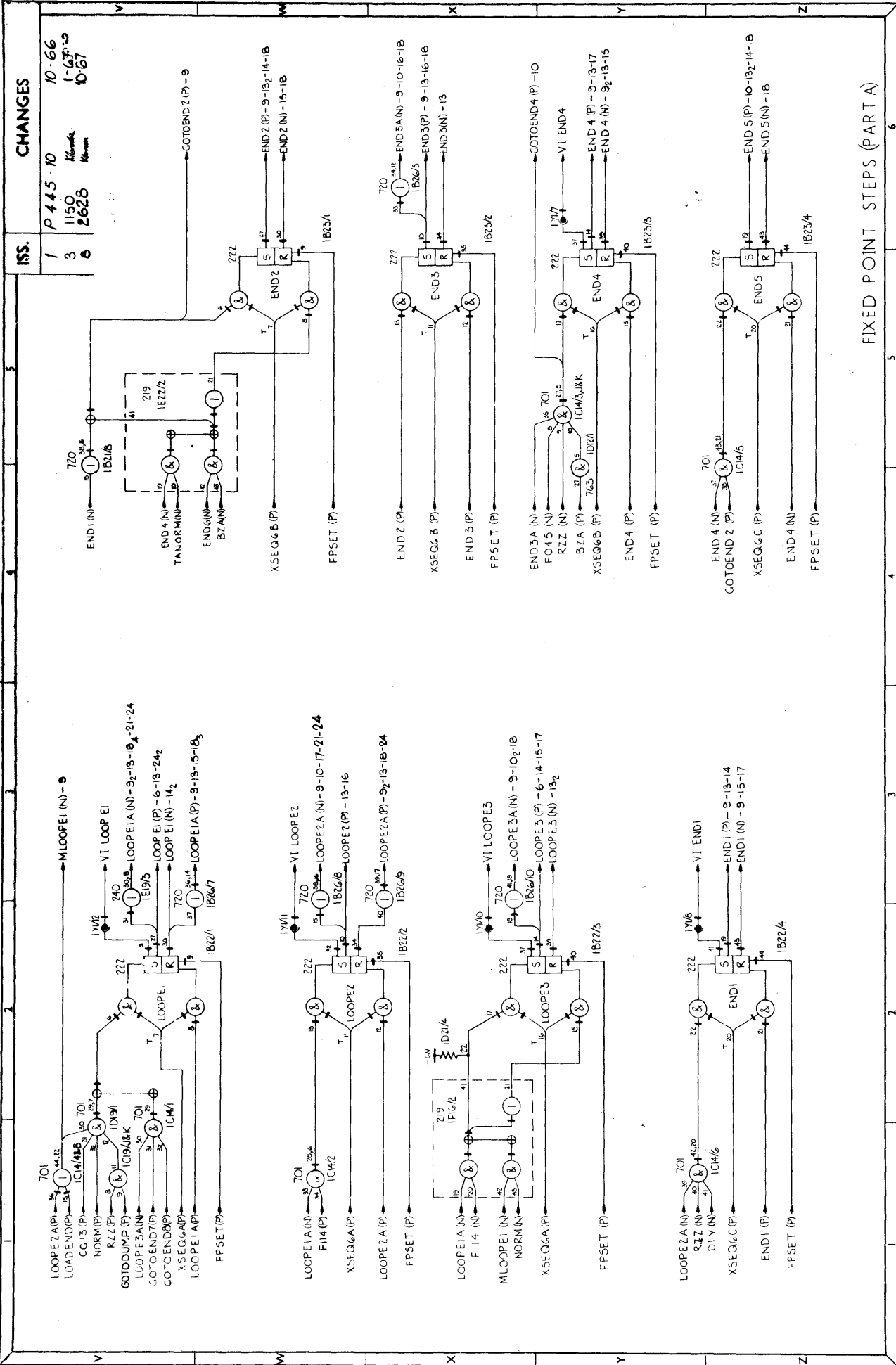
SHEET 9

CAT

ISSUE

1	2	3	4	5	6	7	8	9	10	11	12	13	14	15	16	17	18	19	20	21	22	23	24	25	26	27	28	29	30
ISSUE NUMBERS OF OTHER SHEETS AT THE TIME OF ISSUING THIS SHEET.																													

FIXED POINT STEPS (PART A)



ISS.

1	P 445-10	10-66
3	1150	1-67
6	2628	10-67

CHANGES



1900 SCIENTIFIC UNIT LOGIC

DIAGRAM

5016360 / 11

ISSUE

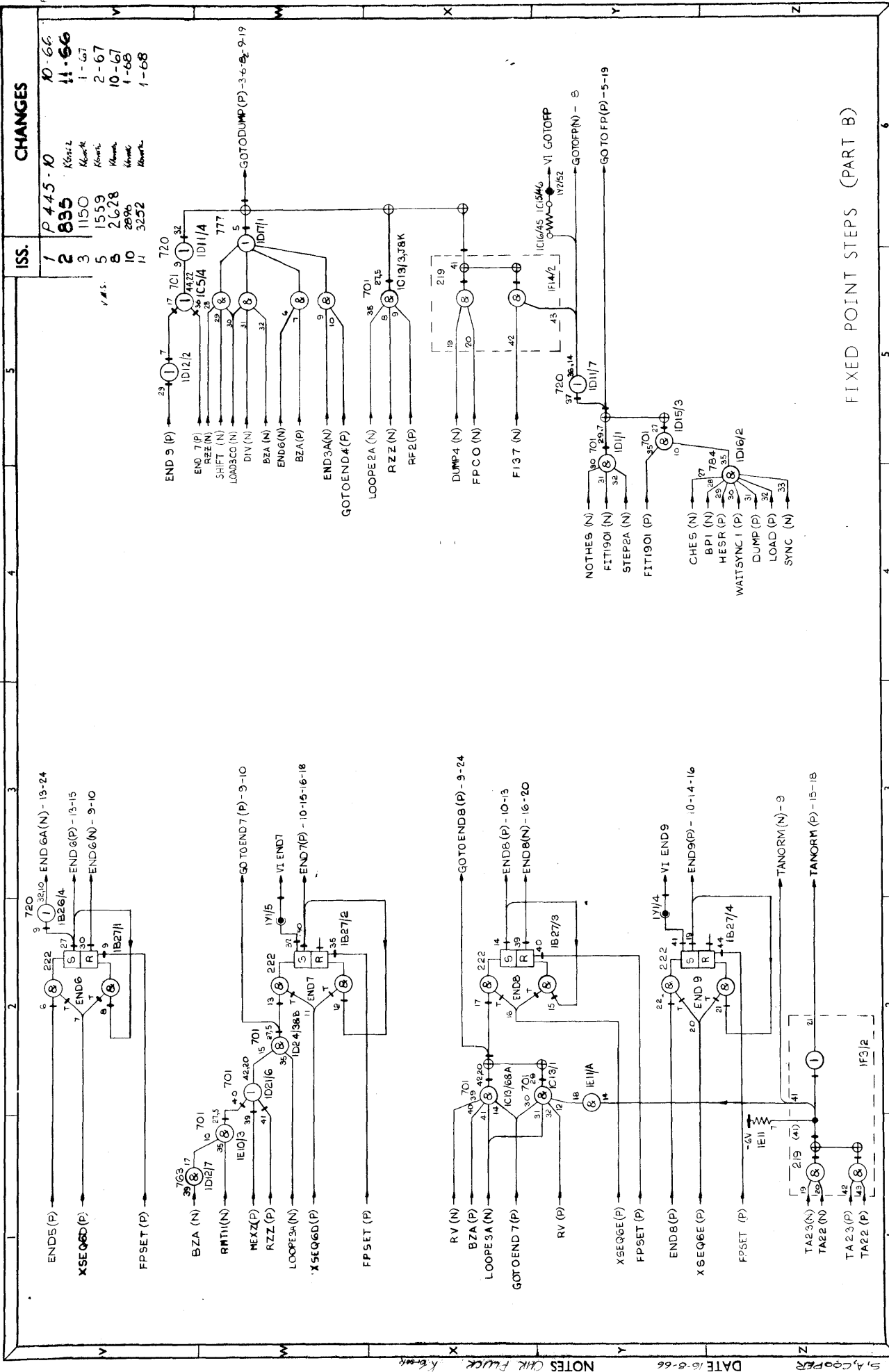
SHEET 10

CAT D

ISSUE SHEET

1	2	3	4	5	6	7	8	9	10	11	12	13	14	15	16	17	18	19	20	21	22	23	24	25	26	27	28	29	30
ISSUE NUMBERS OF OTHER SHEETS AT THE TIME OF ISSUING THIS SHEET.																													

81328 E



ISS.	CHANGES
1	P 445-10
2	895
3	1150
5	1559
10	2628
11	3252

10-66
11-66
1-67
2-67
10-67
1-68
1-68

DRAWN BY S.A. COOPER DATE 10-8-66 NOTES CIR. FLUX K-6-66



1900
SCIENTIFIC UNIT
LOGIC

5016360
DIAGRAM

ISSUE
3

SHEET
11

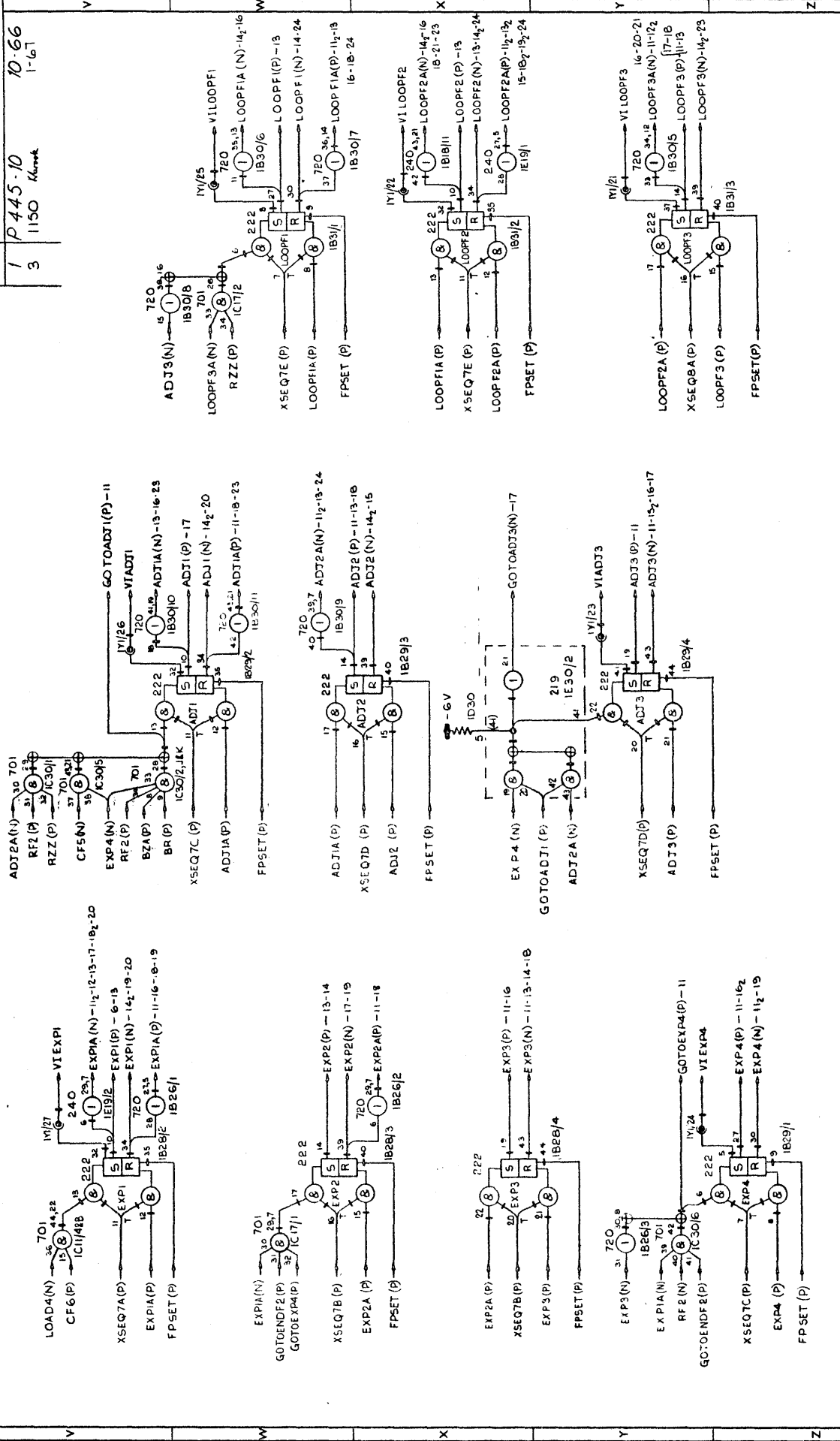
D
CAT

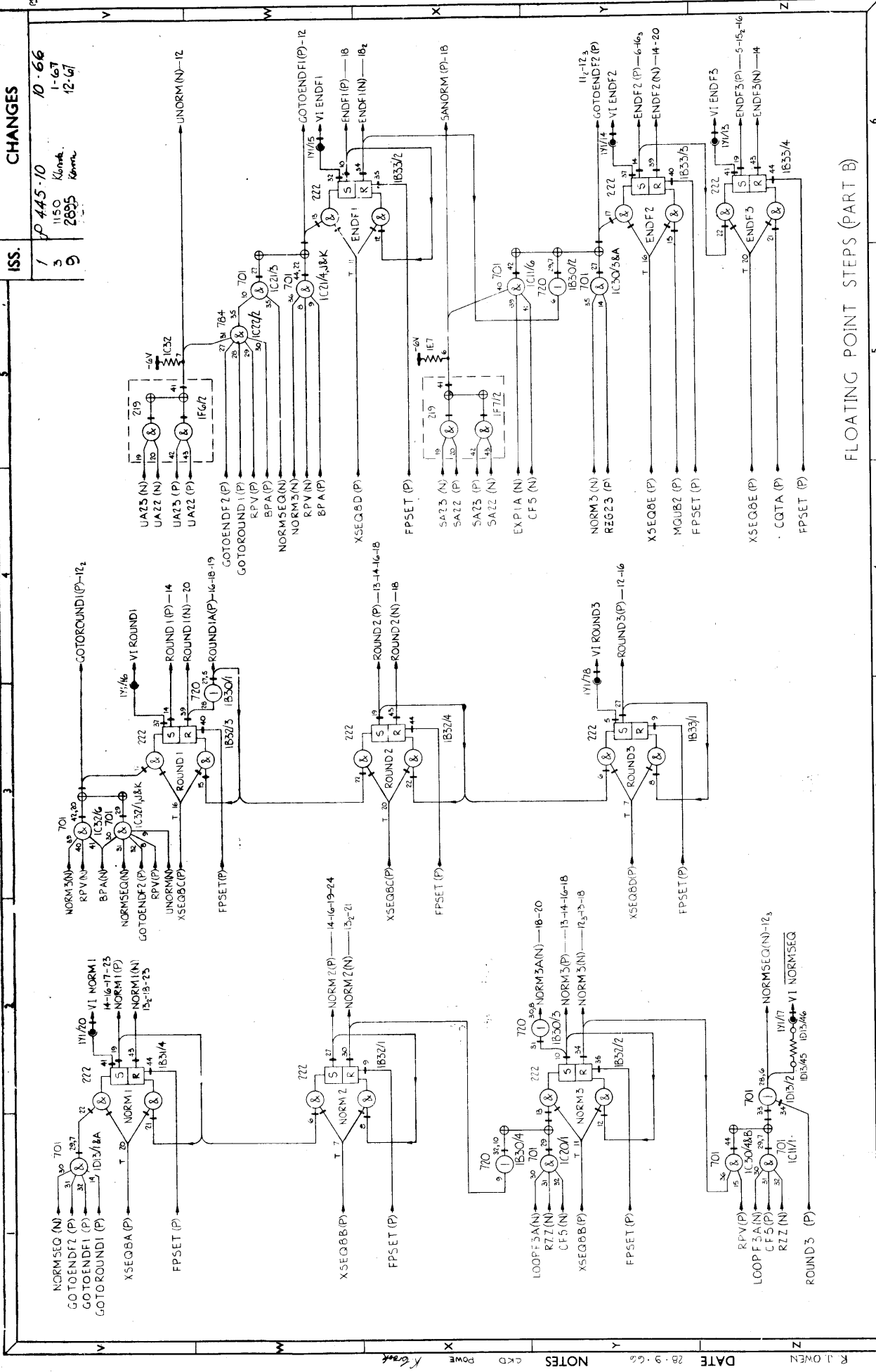
ISSUE

ISSUE
SHEET

1 2 3 4 5 6 7 8 9 10 11 12 13 14 15 16 17 18 19 20 21 22 23 24 25 26 27 28 29 30
ISSUE NUMBERS OF OTHER SHEETS AT THE TIME OF ISSUING THIS SHEET.

FLOATING POINT STEPS (PART A)





ISS.

1	P 445-10	10-66
3	1150	1-67
9	2895	12-67

CHANGES

1	P 445-10	10-66
3	1150	1-67
9	2895	12-67

FLOATING POINT STEPS (PART B)

DRAWN BY R. J. OWEN	DATE 28-9-66	NOTES	CD	K. Beck	V	W	X	Y	Z	1900 SCIENTIFIC UNIT LOGIC	5016360/9	DIAGRAM	ISSUE	ISSUE	ISSUE	ISSUE	ISSUE	ISSUE	ISSUE	ISSUE																							
													9	12	D	12	9	12	9	12	9	12	9	12	9	12	9	12	9	12	9	12											
													SHEET	1	2	3	4	5	6	7	8	9	10	11	12	13	14	15	16	17	18	19	20	21	22	23	24	25	26	27	28	29	30
													ISSUE NUMBERS OF OTHER SHEETS AT THE TIME OF ISSUING THIS SHEET.																														