

1902/3 COMPUTER INDEX

ISS. 14 9259 5-66

SHT NO	DIAG NO	LOGIC GROUP	SHT NO	DIAG NO	LOGIC GROUP	SHT NO	DIAG NO	LOGIC GROUP	SHT NO	DIAG NO	LOGIC GROUP
1	15J	BLOCK SCHEMATIC	26	15J	MILL SECTION 8	51	21E	PERIPHERAL DEVICE TERM 4			
2	15K	TIMING GENERATOR	27	15K	MILL SECTION 9	52	21F	PERIPHERAL DEVICE TERM 5			
3		REGISTERS RX, RF, & RM	28	15L	MILL SECTION 10	53	21G	PERIPHERAL DEVICE TERM 6			
4		FUNCTION OCTAL DECODERS	29	15M	MILL SECTION 11	54	21H	PERIPHERAL DEVICE TERM 7			
5	5A	FUNCTION DECODERS A	30	15N	MILL SECTION 12	55	22	PERIPHERAL COMM' CONT			
6	5B	FUNCTION DECODERS B	31	15P	MILL SECTION 13	56	23	OPERATIONAL CONTROLS			
7	6A	SEQUENCE REGISTER A	32	15Q	MILL SECTION 14	57	24	LOGIC ARRANGEMENT			
8	6B	SEQUENCE REGISTER B	33	15R	MILL SECTION 15			CARD 219			
9	7	CONTROL SEQUENCE REGISTER	34	15S	MILL SECTION 16			INDEX			
10	10B	STORE ADDRESSING	35	15T	MILL SECTION 17	58					
11	9A	CONTROLS TO STORE A	36	15U	MILL SECTION 18		25	HIGH SPEED CONTROL			
12	9B	CONTROLS TO STORE B	37	15V	MILL SECTION 19		26	HIGH SPEED CONTROL			
13	10	STORE PARTY	38	15W	MILL SECTION 20		27	FLOW SHEETS			
14	11	CONTROLS TO HIGHWAY RJ	39	15X	MILL SECTION 21		28				
15	12	CONTROLS TO HIGHWAY RK	40	15Y	MILL SECTION 22		29				
16	13	CONTROLS TO HIGHWAY RL	41	15Z	MILL SECTION 23						
17	14	REGISTER SET PULSES	42	16	MILL CARRY LOGIC						
18	15A	MILL SECTION 0	43	17	OVERFLOW & CARRY REGISTERS						
19	15B	MILL SECTION 1	44	18	CONTROLS TO MILL						
20	15C	MILL SECTION 2	45	19	CHARACTER HANDLING						
21	15D	MILL SECTION 3	46	20	TYPEWRITER LOGIC						
22	15E	MILL SECTION 4	47	21A	PERIPHERAL DEVICE TERM 0						
23	15F	MILL SECTION 5	48	21B	PERIPHERAL DEVICE TERM 1						
24	15G	MILL SECTION 6	49	21C	PERIPHERAL DEVICE TERM 2						
25	15F	MILL SECTION 7	50	21D	PERIPHERAL DEVICE TERM 3						

SEE RELEVANT PARTS LIST FOR DRG NOS OF HIGH SPEED CONTROL & FLOW SHTS.

LOGIC DIAGRAM

5006471/1458D

ISSUE SHEET

LOGIC DIAGRAM

ISSUE SHEET CAT

ISSUE NUMBERS OF OTHER SHEETS AT THE TIME OF ISSUING THIS SHEET.

1 2 3 4 5 6 7 8 9 10 11 12 13 14 15 16 17 18 19 20 21 22 23 24 25 26 27 28 29 30

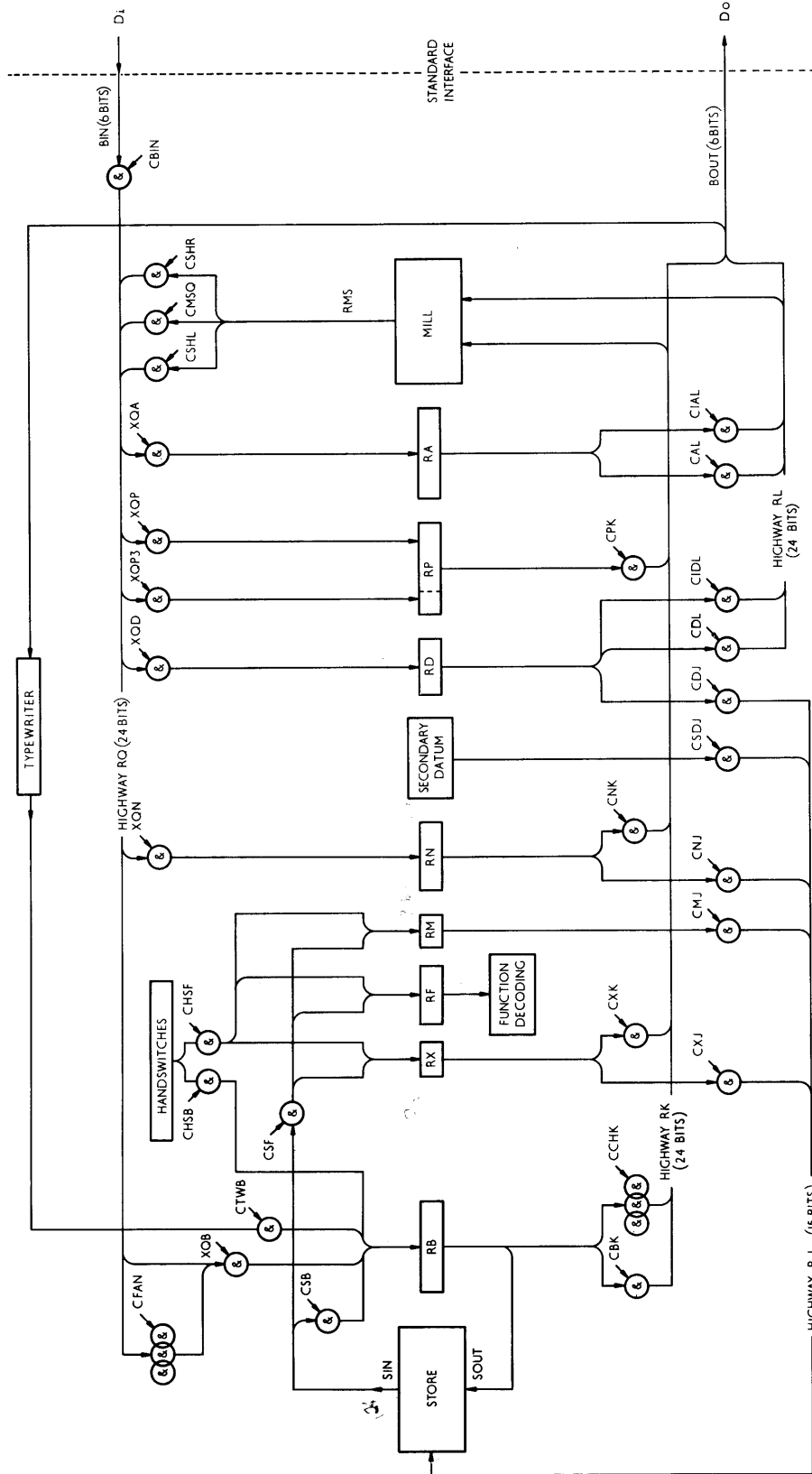
BLOCK SCHEMATIC I902/3 COMPUTER

CHANGES

ISS.

10 REDRAWN 8517

12-65



NOTE. BRICK SOURCES SUCH AS 2814/37, THE ASTERISK DENOTES THAT 37 APPLIES TO THE PIN No AND NOT THE MONITORING POINT ON THE BRICK.



LOGIC DIAGRAM

5006471 / 10

ISSUE SHEET

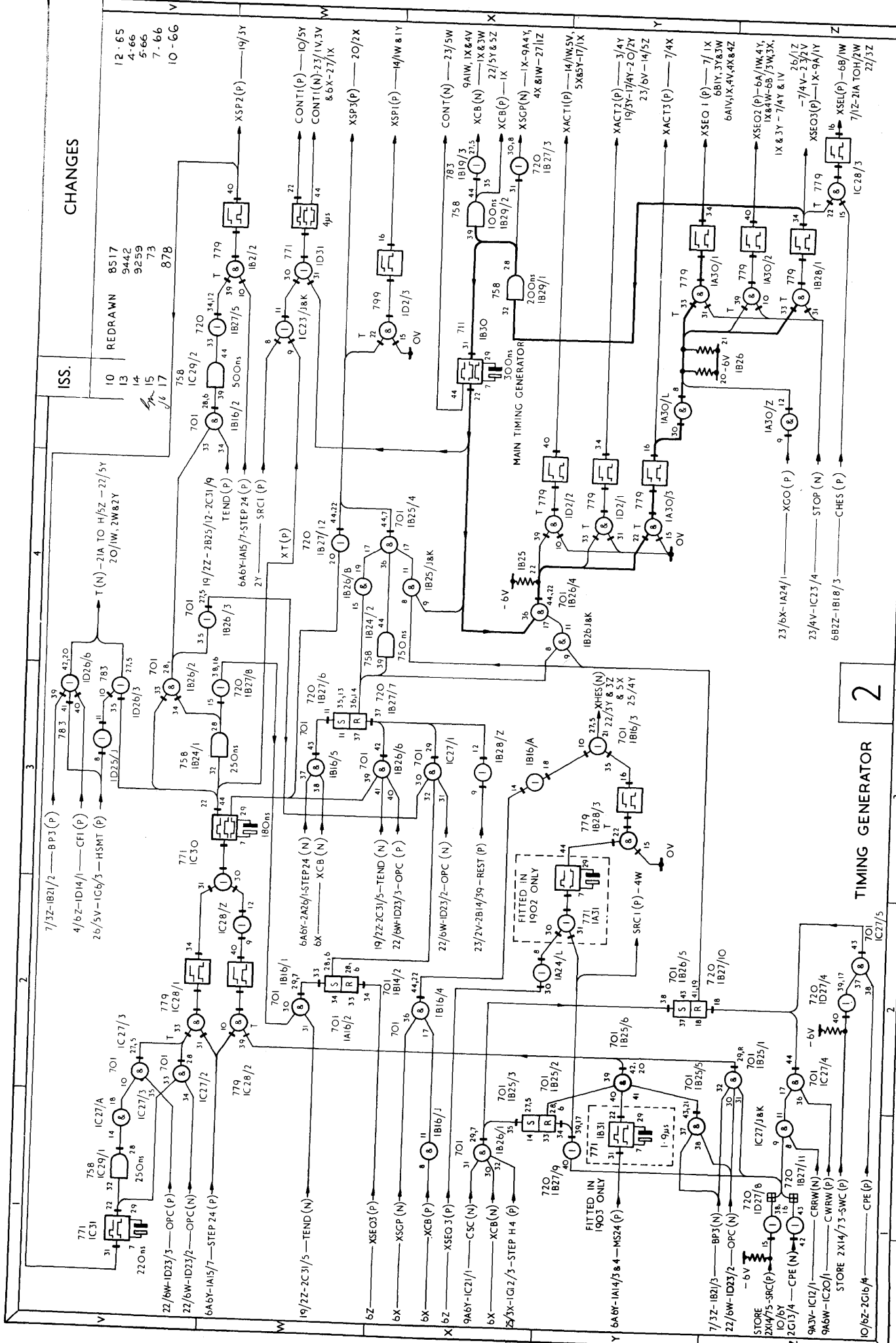
ISSUE SHEET

ISSUE NUMBERS OF OTHER SHEETS AT THE TIME OF ISSUING THIS SHEET.

1	2	3	4	5	6	7	8	9	10	11	12	13	14	15	16	17	18	19	20	21	22	23	24	25	26	27	28	29	30
---	---	---	---	---	---	---	---	---	----	----	----	----	----	----	----	----	----	----	----	----	----	----	----	----	----	----	----	----	----

CHANGES

10	REDRAWN	8517
13		9442
14		9259
15		73
16		878



ISS.

10 REDRAWN 8517

13 9442

14 9259

15 73

16 878

1 2 3 4 5 6 7 8 9 10 11 12 13 14 15 16 17 18 19 20 21 22 23 24 25 26 27 28 29 30

ISSUE SHEET

ISS.

10 REDRAWN 8517

13 9442

14 9259

15 73

16 878

1 2 3 4 5 6 7 8 9 10 11 12 13 14 15 16 17 18 19 20 21 22 23 24 25 26 27 28 29 30

ISSUE SHEET

ISS.

10 REDRAWN 8517

13 9442

14 9259

15 73

16 878

1 2 3 4 5 6 7 8 9 10 11 12 13 14 15 16 17 18 19 20 21 22 23 24 25 26 27 28 29 30

ISSUE SHEET

ISS.

10 REDRAWN 8517

13 9442

14 9259

15 73

16 878

1 2 3 4 5 6 7 8 9 10 11 12 13 14 15 16 17 18 19 20 21 22 23 24 25 26 27 28 29 30

ISSUE SHEET

ISS.

10 REDRAWN 8517

13 9442

14 9259

15 73

16 878

1 2 3 4 5 6 7 8 9 10 11 12 13 14 15 16 17 18 19 20 21 22 23 24 25 26 27 28 29 30

ISSUE SHEET

ISS.

10 REDRAWN 8517

13 9442

14 9259

15 73

16 878

1 2 3 4 5 6 7 8 9 10 11 12 13 14 15 16 17 18 19 20 21 22 23 24 25 26 27 28 29 30

ISSUE SHEET

I.C.T.

LOGIC DIAGRAM

5006471 / 17 2

DIAGRAM

TIMING GENERATOR

ISSUE	SHEET	ISSUE	SHEET	ISSUE	SHEET
2	17	2	17	2	17

CAT.

D

ISSUE NUMBERS OF OTHER SHEETS AT THE TIME OF ISSUING THIS SHEET.

891



LOGIC DIAGRAM

5006471 / 16

DIAGRAM

ISSUE

3

SHEET

D

CAT

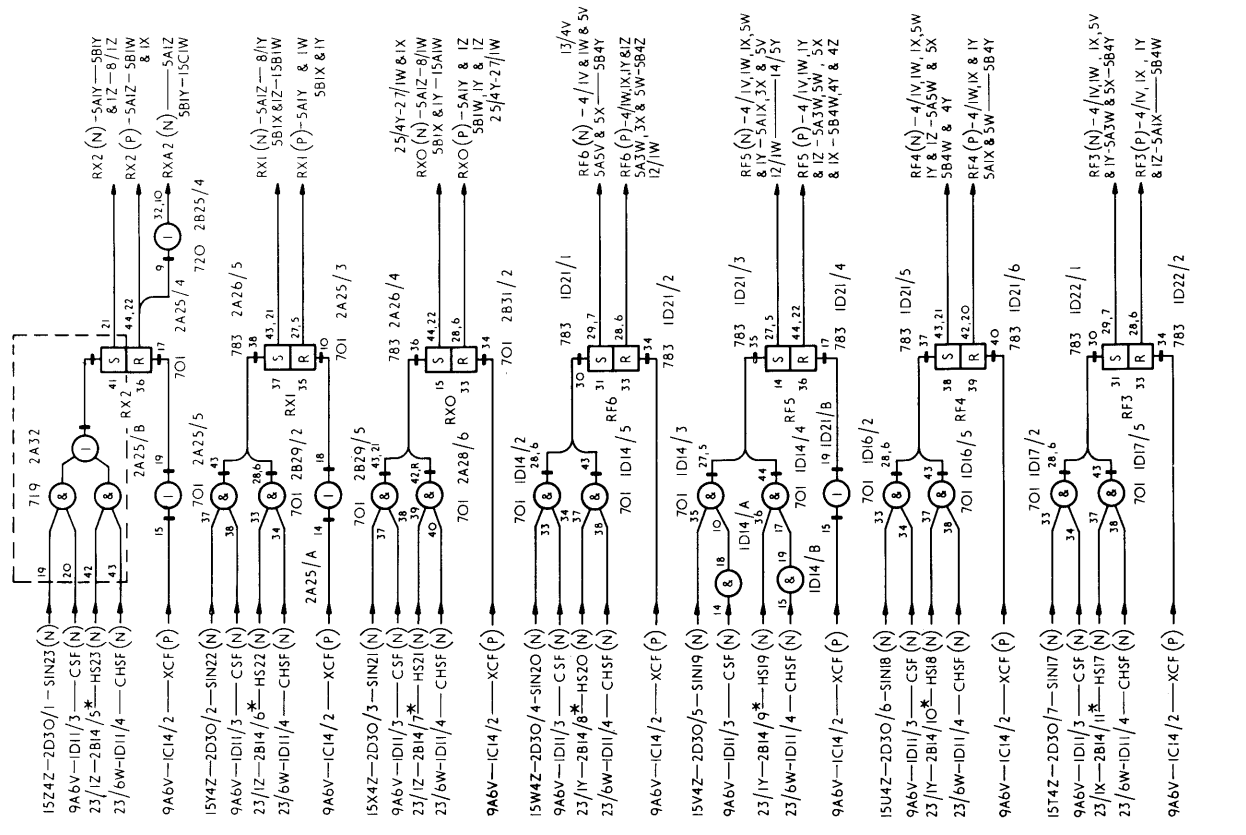
ISSUE

1 2 3 4 5 6 7 8 9 10 11 12 13 14 15 16 17 18 19 20 21 22 23 24 25 26 27 28 29 30

ISSUE NUMBERS OF OTHER SHEETS AT THE TIME OF ISSUING THIS SHEET.

10 - GG

REGISTERS RX, RF & RM



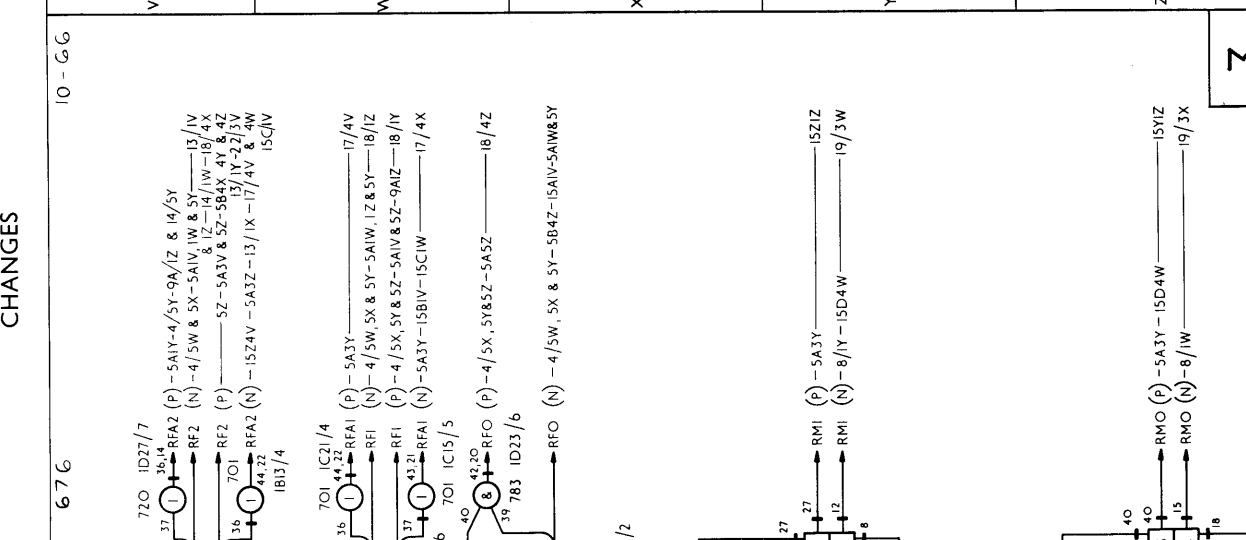
ISS.

16

CHANGES

676

10 - GG



3

6

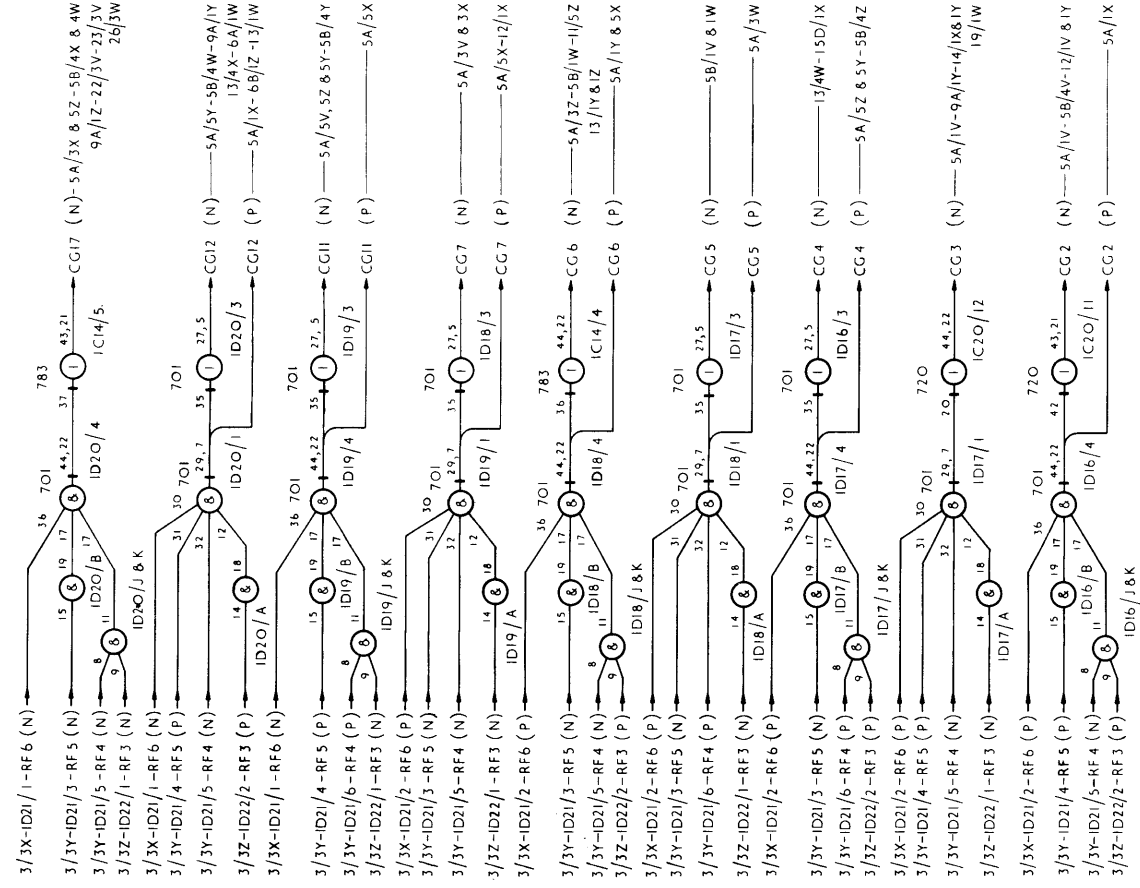
5

4

3

2

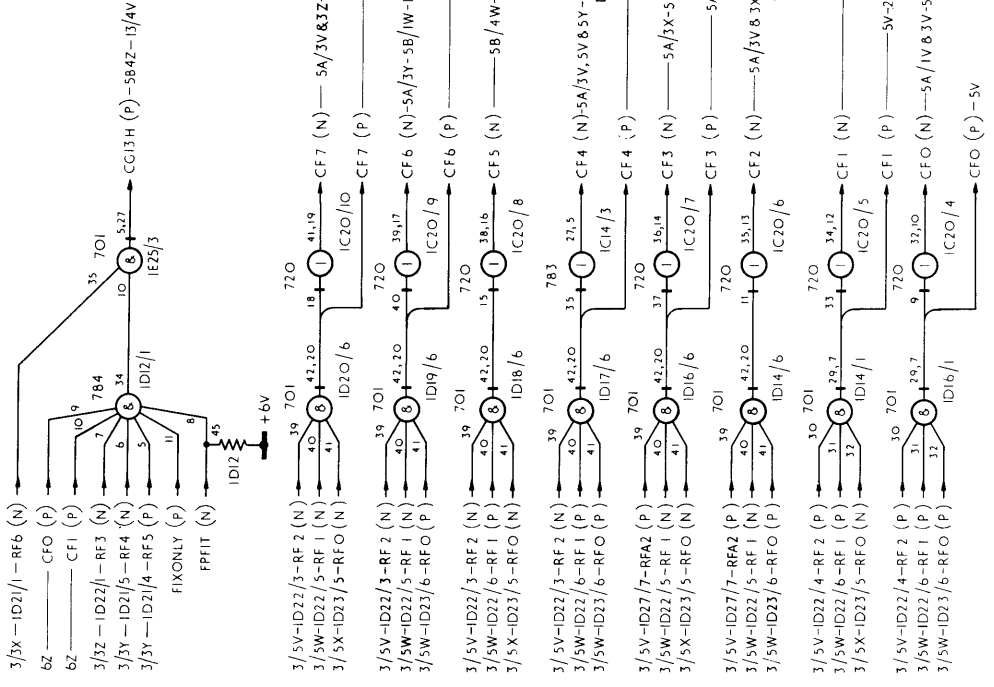
1



CHANGES

ISS.

676 10-66



FUNCTION OCTAL DECODERS

LOGIC DIAGRAM

5006471 / 16 4

DIAGRAM

ISSUE SHEET

D

CAT

ISSUE

SHEET	1	2	3	4	5	6	7	8	9	10	11	12	13	14	15	16	17	18	19	20	21	22	23	24	25	26	27	28	29	30
-------	---	---	---	---	---	---	---	---	---	----	----	----	----	----	----	----	----	----	----	----	----	----	----	----	----	----	----	----	----	----

891

4

6

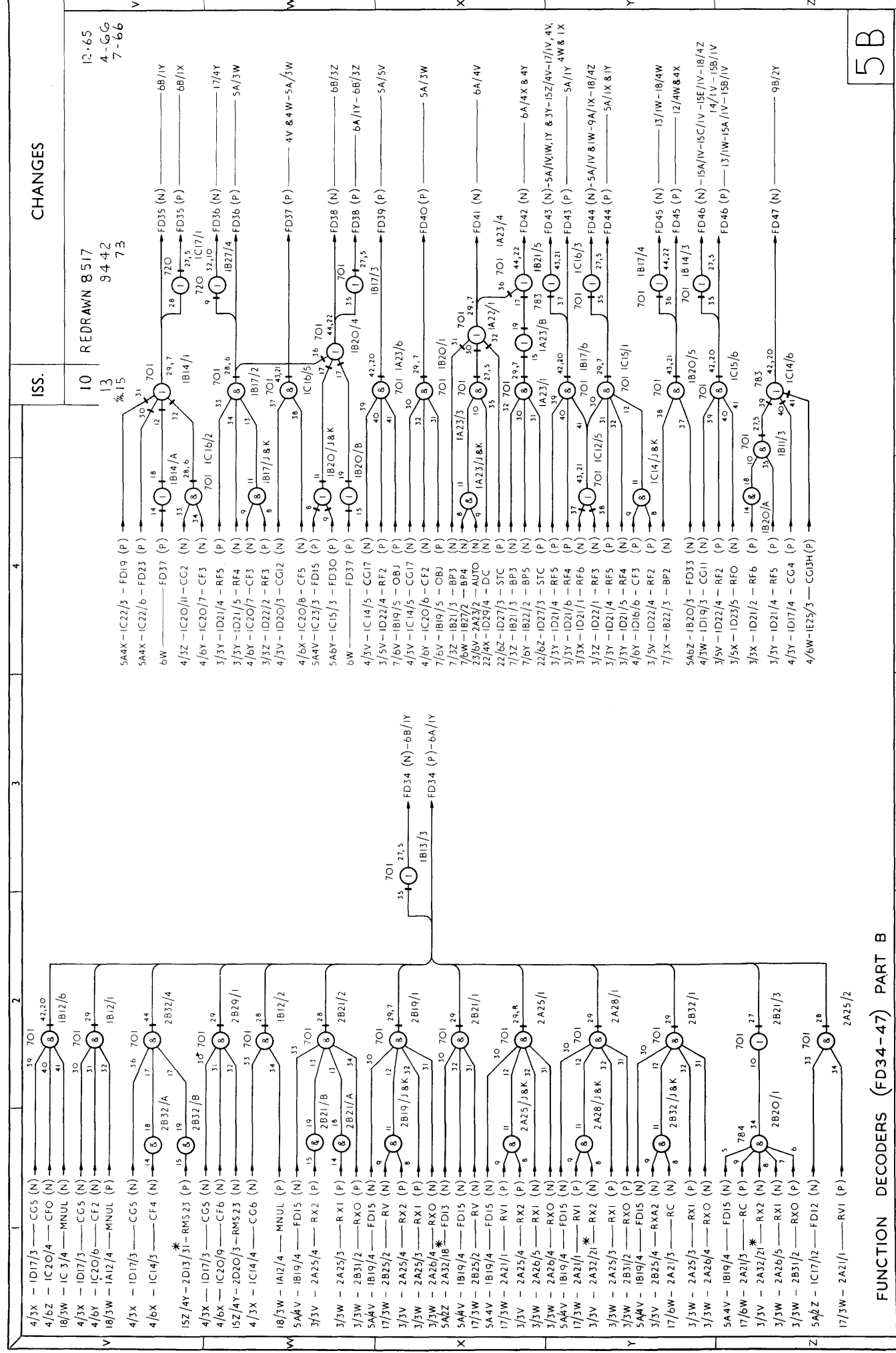
5

4

3

2

1



FUNCTION DECODERS (FD34-47) PART B

5006471/15 6

LOGIC DIAGRAM ISSUE SHEET CAT ISSUE

DIAGRAM SHEET 6 D SHEET 6

ISSUE NUMBERS OF OTHER SHEETS AT THE TIME OF ISSUING THIS SHEET.

1	2	3	4	5	6
1	2	3	4	5	6

8991

CHANGES

ISS. 10 REDRAWN 8 517 12-65
 13 94 42 4-66
 15 73 7-66

5B



LOGIC DIAGRAM

5006471 / 19

ISSUE SHEET

D CAT

ISSUE

SHEET 1 2 3 4 5 6 7 8 9 10 11 12 13 14 15 16 17 18 19 20 21 22 23 24 25 26 27 28 29 30

ISSUE NUMBERS OF OTHER SHEETS AT THE TIME OF ISSUING THIS SHEET.

01310E

DRAWN BY INGRAM

DATE 13-8-65

NOTES

6A

SEQUENCE REGISTER (PART A)

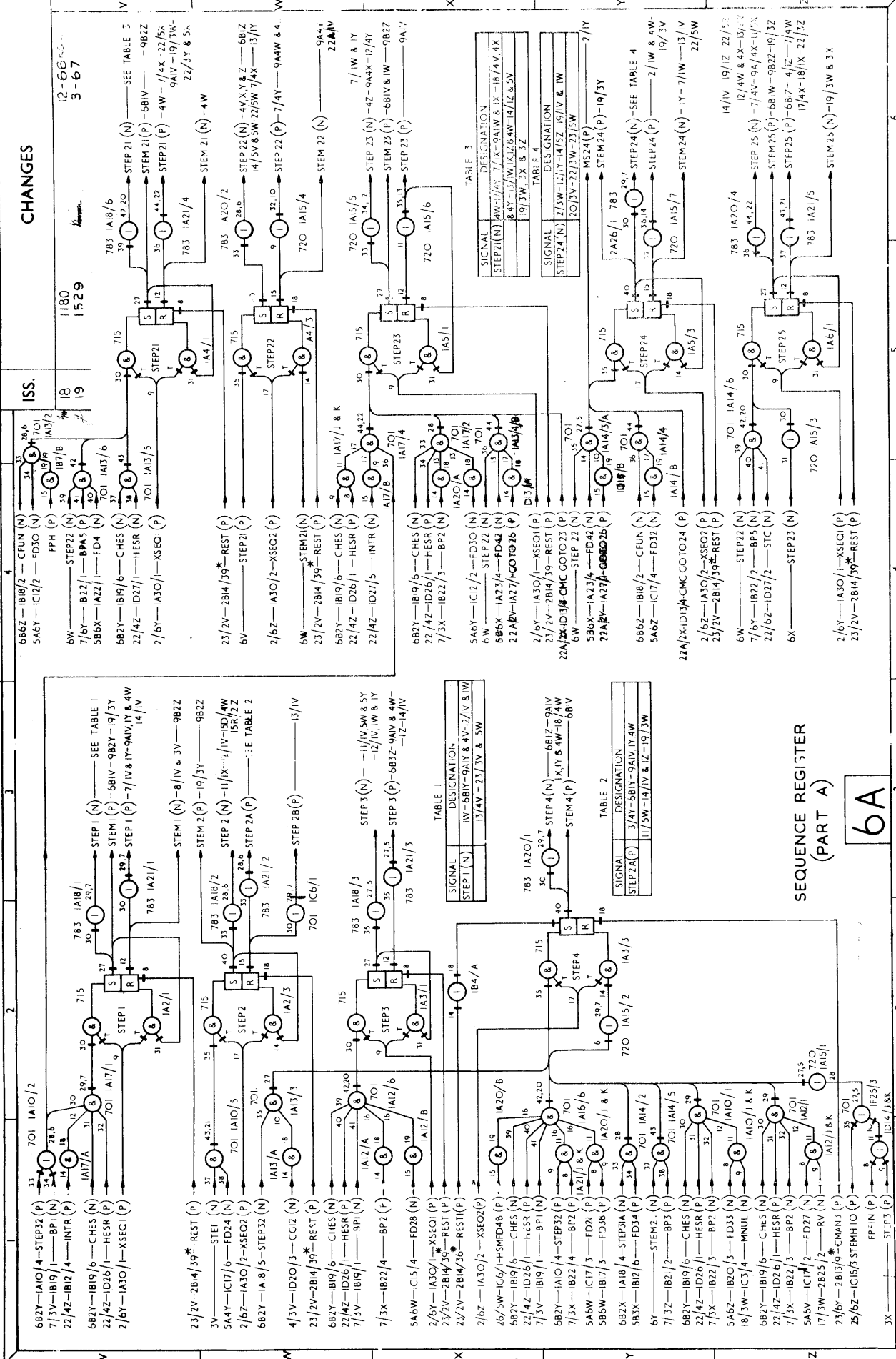


TABLE 1

SIGNAL	DESIGNATION
STEP 1 (N)	1W-6B1X-9A18 & 4V-12/IV & 1W
STEP 2 (N)	13/AV-23/3V & 5W

TABLE 2

SIGNAL	DESIGNATION
STEP 2A (P)	3/AY-6B1X-9A1V, 1Y, 4W
STEP 4 (N)	11/5W-19/IV & 1Z-19/3W

TABLE 3

SIGNAL	DESIGNATION
STEP 21 (N)	14W-21/6V-71X-9A1W & 1X-18/4V, 4X & 8AY-13/1W, 1Z, 6W-14/1Z & 5W
STEP 24 (N)	19/3W, 3X & 3Z

TABLE 4

SIGNAL	DESIGNATION
STEP 24 (N)	20/3W-22/3W-23/5W
STEP 24 (P)	M524 (P)

CHANGES

ISS.

686Z-1B18/2-CFUN (N)
 5A6Y-1C12/2-5D30 (N)
 6W
 7/6Y-1B22/1-BPA5 (P)
 5B6X-1A22/1-FD41 (N)
 6B2Y-1B19/6-CHE5 (N)
 22/4Z-1D26/1-HE5R (N)
 2/6Y-1A30/1-XSE01 (P)
 23/2V-2B14/39*-REST (P)
 6V
 2/6Z-1A30/2-XSE02 (P)
 6W
 23/2V-2B14/39*-REST (P)
 6B2Y-1B19/6-CHE5 (N)
 22/4Z-1D26/1-HE5R (P)
 22/4Z-1D27/5-INTR (N)
 6B2Y-1B19/6-CHE5 (N)
 22/4Z-1D26/1-HE5R (P)
 7/3X-1B22/3-BP2 (N)
 5A6Y-1C12/2-FD30 (N)
 6W
 5B6X-1A23/4-FD42 (N)
 22/4Z-1A27/1-CO2026 (P)
 2/6Y-1A30/1-XSE01 (P)
 23/2V-2B14/39*-REST (P)
 6W
 22/4Z-1D13/4-CMC CO2023 (P)
 6W
 5B6X-1A23/4-FD42 (N)
 22/4Z-1A27/1-CO2026 (P)
 6B2Y-1B19/6-CFUN (N)
 5A6Z-1C17/4-FD32 (N)
 22/4Z-1D13/4-CMC CO2024 (P)
 2/6Y-1A30/2-XSE02 (P)
 23/2V-2B14/39*-REST (P)
 6W
 22/4Z-1D27/2-S1C (N)
 6X
 2/6Y-1A30/1-XSE01 (P)
 23/2V-2B14/39*-REST (P)

1180

1529

783 IA18/6

701 IA13/5

701 IA15/3

701 IA17/A

701 IA18/1

701 IA19/1

701 IA20/2

701 IA21/2

701 IA21/3

701 IA21/4

701 IA21/5

701 IA21/6

701 IA21/7

701 IA21/8

701 IA21/9

701 IA21/10

701 IA21/11

701 IA21/12

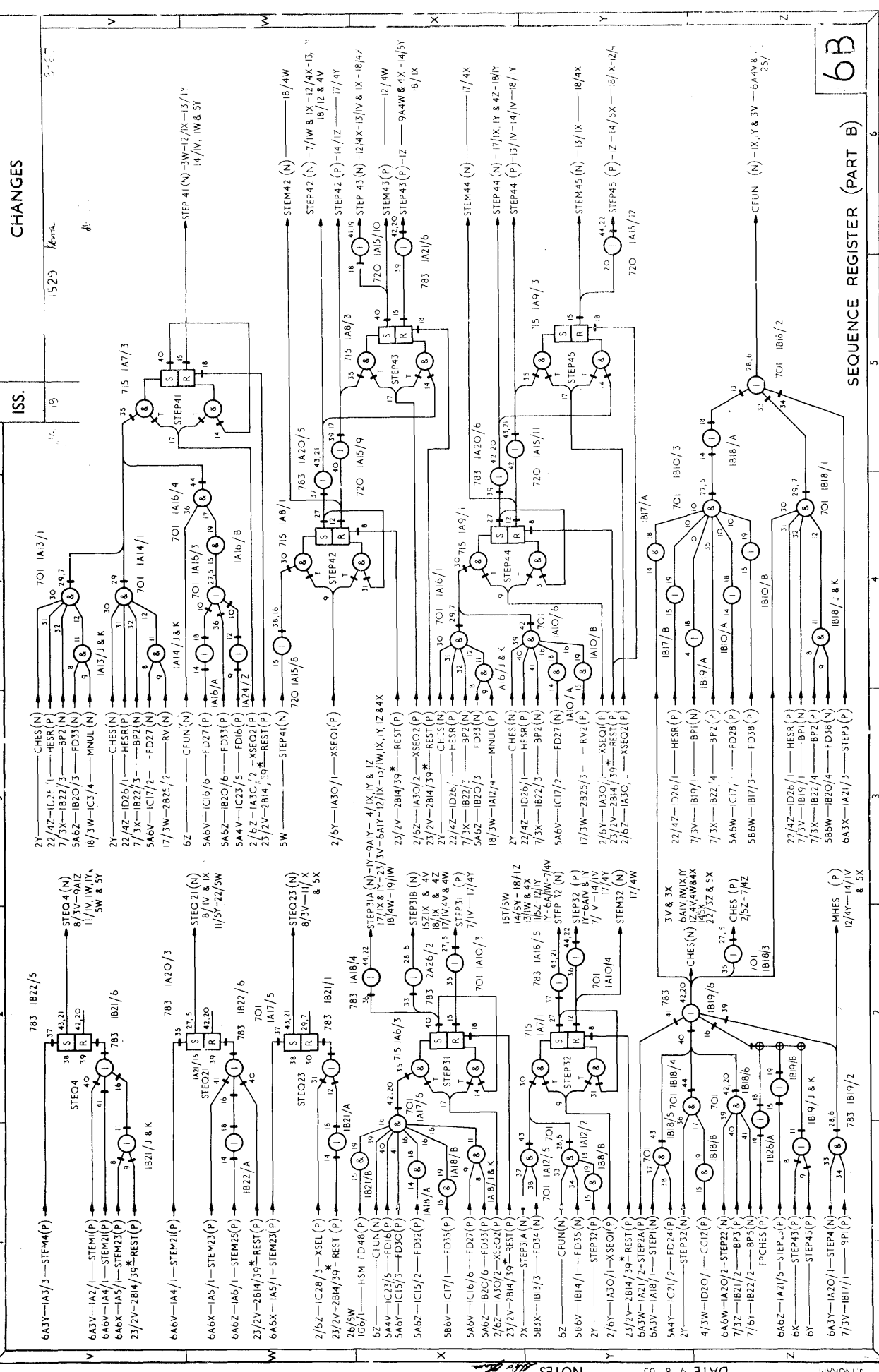
701 IA21/13

701 IA21/14

701 IA21/15

701 IA21/16

701 IA21/17



CHANGES

ISS.

SEQUENCE REGISTER (PART B)

ISSUE SHEET CAT

ISSUE SHEET 8

5006471

LOGIC DIAGRAM



DRAWN BY J INGRAM

DATE 9 8 65

NOTES

1	2	3	4	5	6
1	2	3	4	5	6
7	8	9	10	11	12
13	14	15	16	17	18
19	20	21	22	23	24
25	26	27	28	29	30

6B



LOGIC DIAGRAM

5006471

DIAGRAM

ISSUE: SHEET

19

CAT. D

ISSUE SHEET

1 2 3 4 5 6 7 8 9 10 11 12 13 14 15 16 17 18 19 20 21 22 23 24 25 26 27 28 29 30

ISSUE NUMBERS OF OTHER SHEETS AT THE TIME OF ISSUING THIS SHEET.

CONTROL REGISTER (BP1-5)

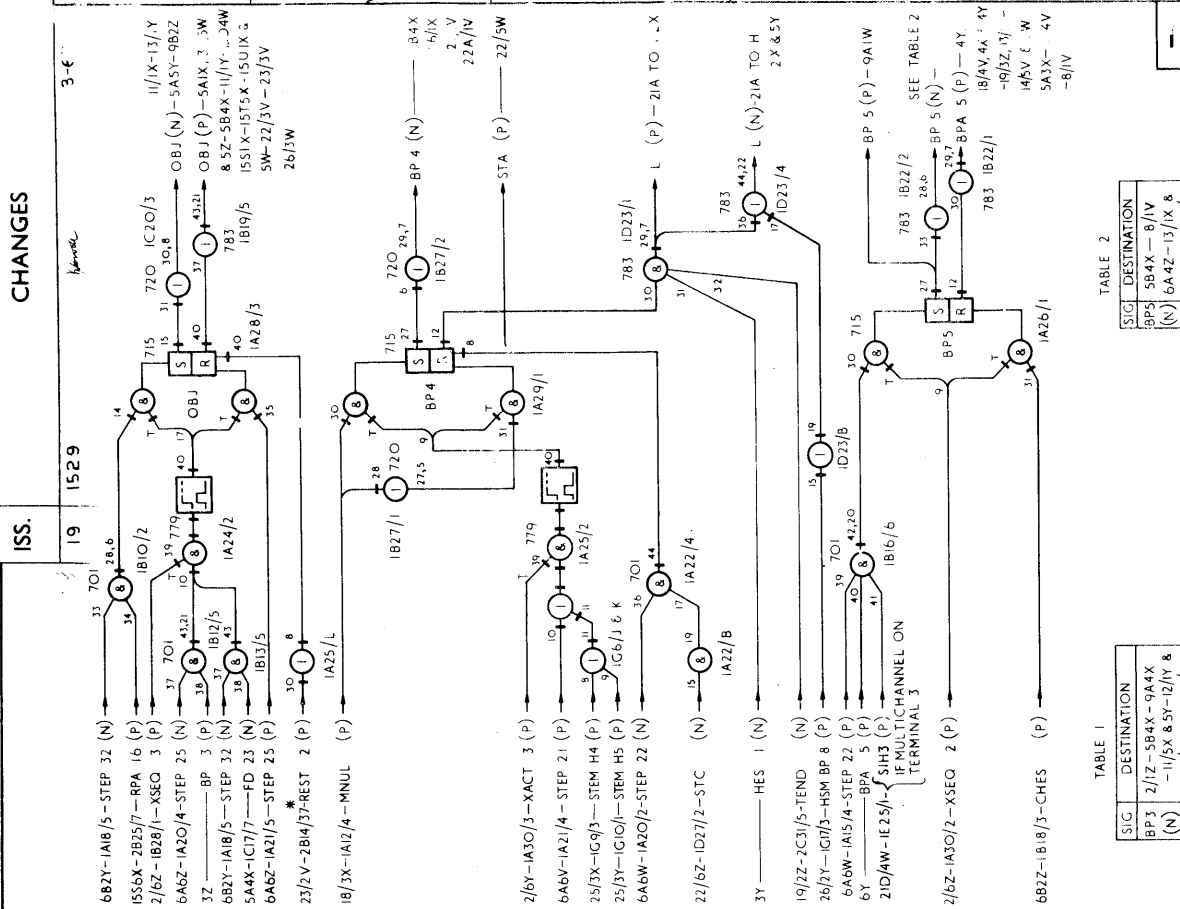
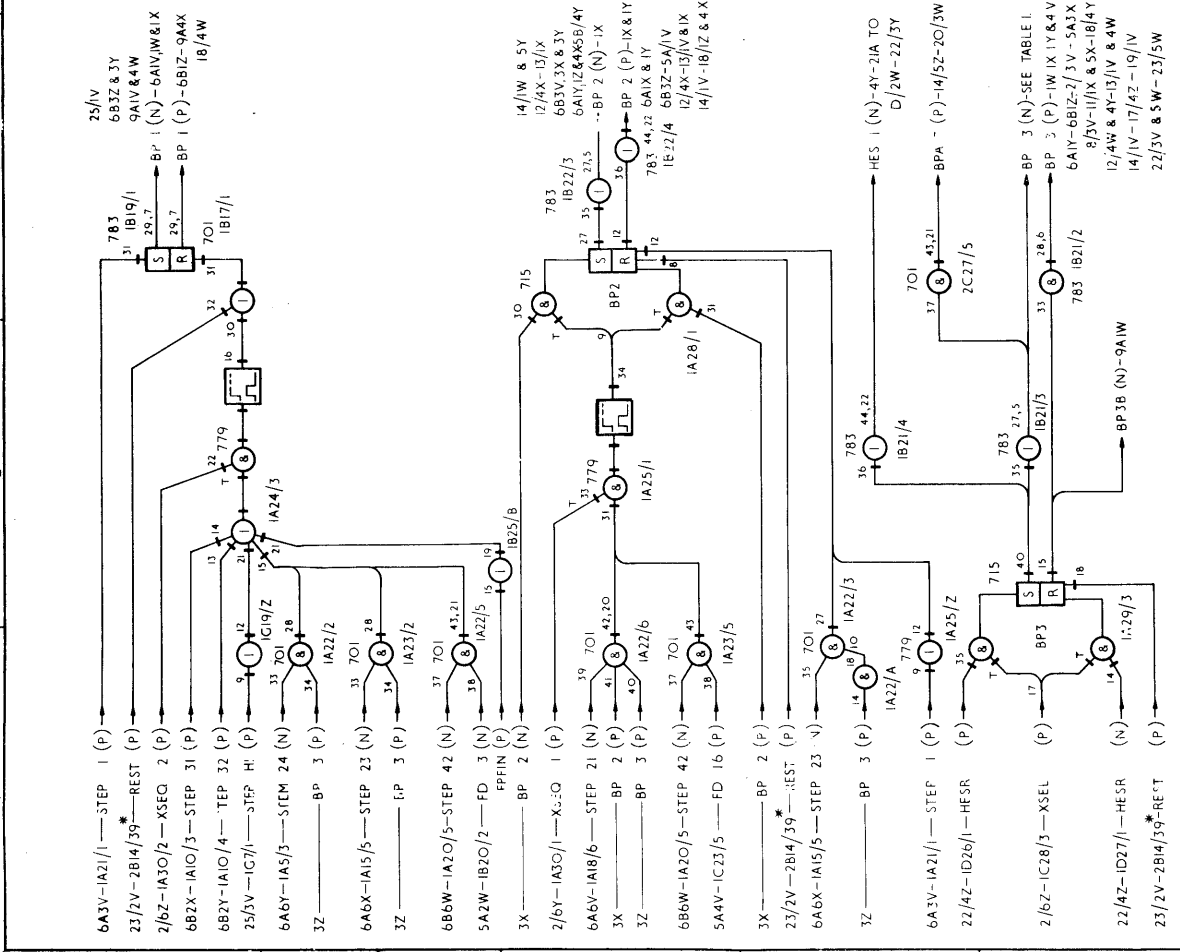


TABLE 1

SIG	DESTINATION
BP3	2/1Z-5B4X-9A4X
(N)	-1/5X & 5Y-12/1Y & 4X-13/1X/18Z-1B/4V
	8 4X-19/1W-15X/2W

TABLE 2

SIG	DESTINATION
BP5	5B4X-8/1V
(N)	6A4Z-13/1X & 4W-6B1Z-9A/1X

CHANGES

ISS.

3-6

DRAWN BY M.A. MITCHELL

DATE 12.8.65

NOTE

8112E