

HP 3000 Series 44 Computer System

30079A Add-On Installation Manual



19447 PRUNERIDGE AVE., CUPERTINO, CALIFORNIA 95014

Part No. 30079-90002
Index No. 3HDWR.030.30079-90002

Printed in U.S.A. 3/81

NOTICE

The information contained in this document is subject to change without notice.

HEWLETT-PACKARD MAKES NO WARRANTY OF ANY KIND WITH REGARD TO THIS MATERIAL, INCLUDING, BUT NOT LIMITED TO, THE IMPLIED WARRANTIES OF MERCHANTABILITY AND FITNESS FOR A PARTICULAR PURPOSE. Hewlett-Packard shall not be liable for errors contained herein or for incidental or consequential damages in connection with the furnishing, performance or use of this material.

This document contains proprietary information which is protected by copyright. All rights are reserved. No part of this document may be photocopied or reproduced without the prior written consent of Hewlett-Packard Company.

LIST OF EFFECTIVE PAGES

The List of Effective Pages gives the date of the current edition and of any pages changed in updates to that edition. Within the manual, any page changed since the last edition is indicated by printing the date the changes were made on the bottom of the page. Changes are marked with a vertical bar in the margin. If an update is incorporated when an edition is reprinted, these bars are removed but the dates remain.

All pages in this manual are original first edition dated Mar. 1981.

PRINTING HISTORY

New editions are complete revisions of the manual. Update packages, which are issued between editions, contain additional and replacement pages to be merged into the manual by the customer. The date of the title page of the manual changes only when a new edition is published. When an edition is reprinted, all the prior updates to the edition are incorporated.

First Edition. Mar 1981

INTRODUCTION AND PROCEDURE

Introduction

Upon receiving this document contact your local Hewlett-Packard field service office to arrange for the installation of this product. Directly prior to this installation, the system operator should back-up the system as described in the Console Operators Guide (p/n 30090-90013).

This manual describes the installation procedures for an HP 30079A General Interface Controller (GIC) which is to be added to an installed and functional HP 3000 Series 44 computer system. The installation description is intended for use by Hewlett-Packard Customer Engineers trained in HP 3000 Series 44 computer systems.

The following paragraphs and illustrations generally describe the installation of this product.

This product, which will add an additional GIC channel, consists of the following parts:

For HP 3000/44 Systems

31262-60001	GIC PCA
5061-2503	GIC CABLE

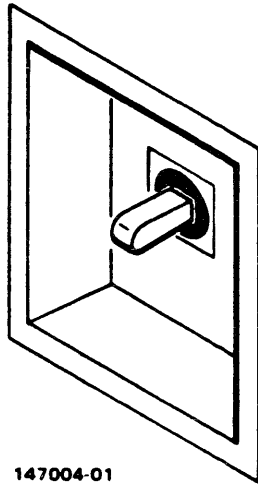
Procedure

- a) The system should be backed up by the system operator prior to beginning the installation.
- b) Turn the Processor Power Switch to OFF (see figure 1).
- c) Install the new GIC PCA (p/n 31262-60001) in next available GIC card cage slot. GIC's must be installed in the following channel and slot number order: (see figure 2)

 Channel 11 in slot 16
 Channels 9, 10, 13 in slots 22 thru 24 respectively
 channel 12 in slot E7 of 2nd card cage
- d) Route the HP-IB GIC cable from the next available side or rear junction panel position to the GIC PCA.
- e) Select the channel number on the GIC PCA according to the Configuration Matrix. See table 1.
- f) Connect the desired device to the new channel and select its HP-IB device address according to the configuration matrix.
- g) Turn the processor power Switch to ON, run I/O MAP and GIC diagnostic. Refer to the Diagnostic Manual Set (p/n 30070-60068).
- h) Run all appropriate standalone diagnostics, self tests and/or Sleuthsm verifier programs on any new peripherals.
- i) Cold Start the system from the back-up media, configuring the new channel and device(s) on the system. Refer to "Functions of the Console Operator" in the Console Operators Guide (p/n 30090-90013) if required.

Note

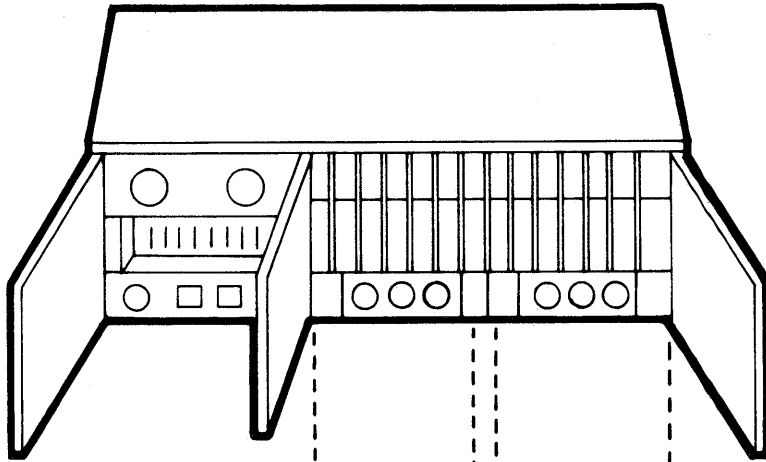
Use previously installed GIC's as a model for cable routings and connections.



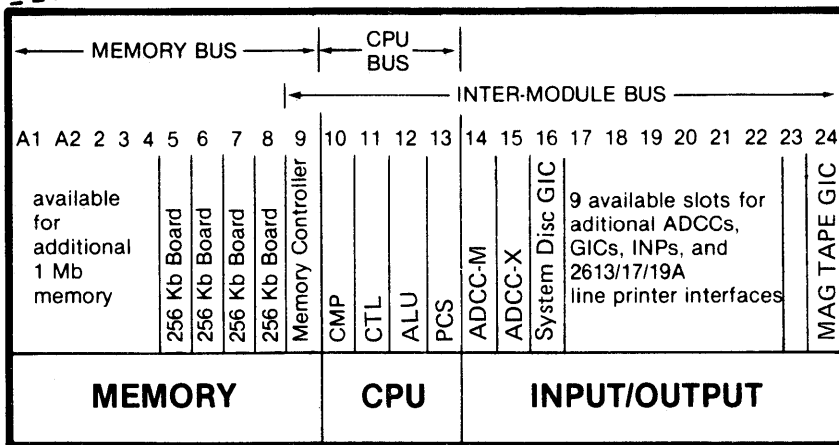
147004-01

NOTE:
WHEN POWER SWITCH
IS IN THE UP POSITION,
SYSTEM POWER IS ON.

Figure 1. Processor Power Switch



CARD CAGE #1
(STANDARD WITH SYSTEM)



CARD CAGE #2
(30087A EXPANSION KIT)

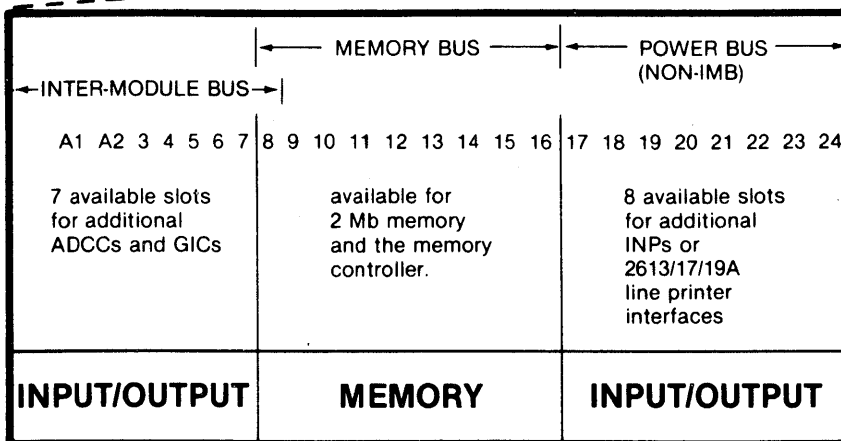


Figure 2. Series 44 Slot Locations (maximum configuration)

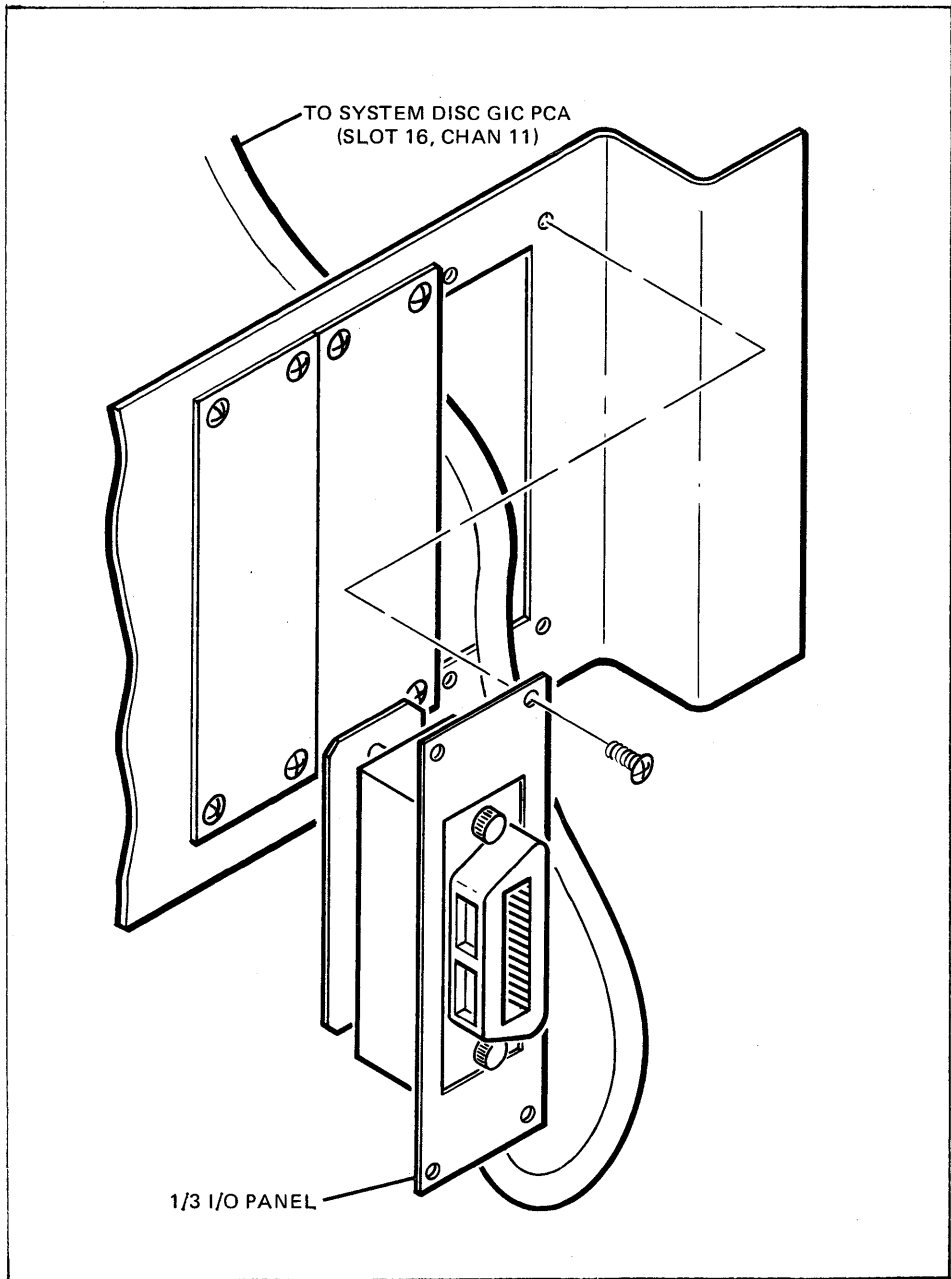


Figure 2. Series 44 Rear Junction Panel

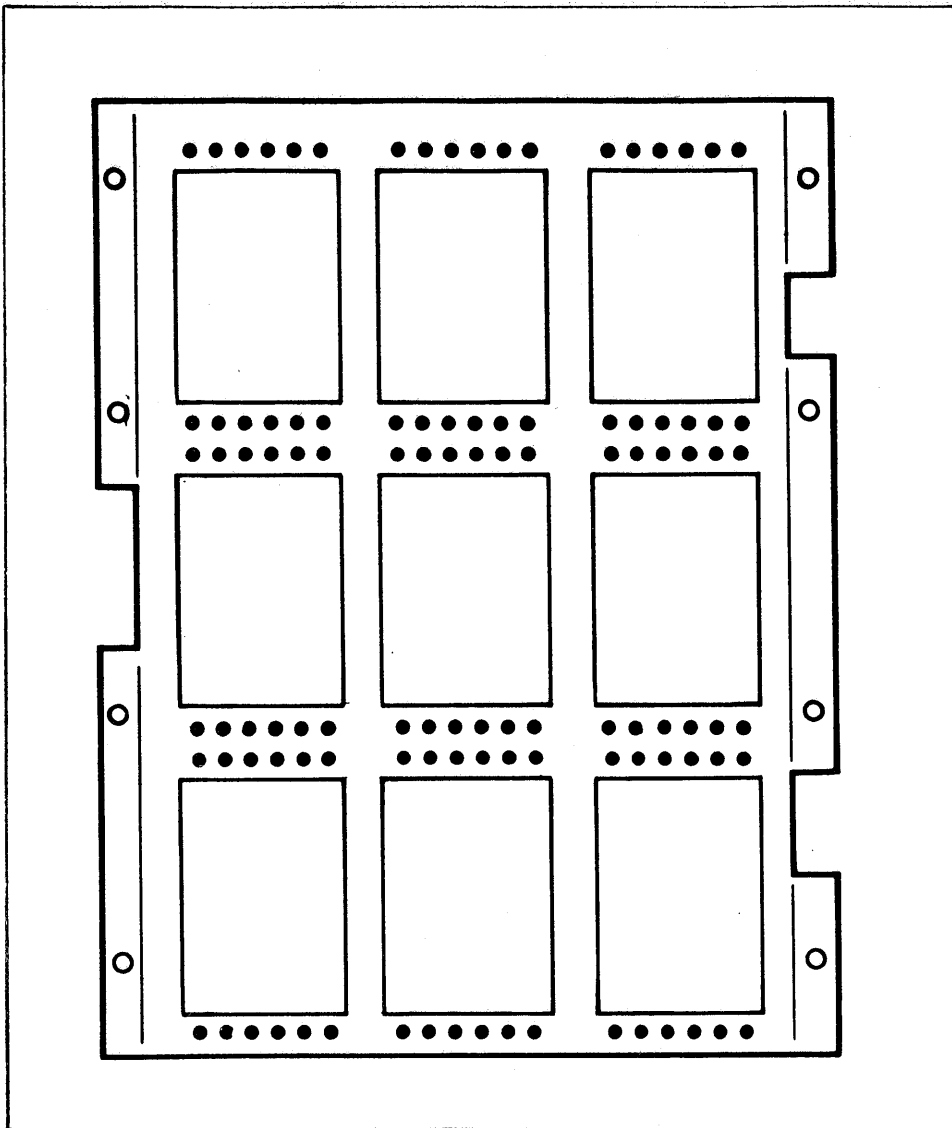
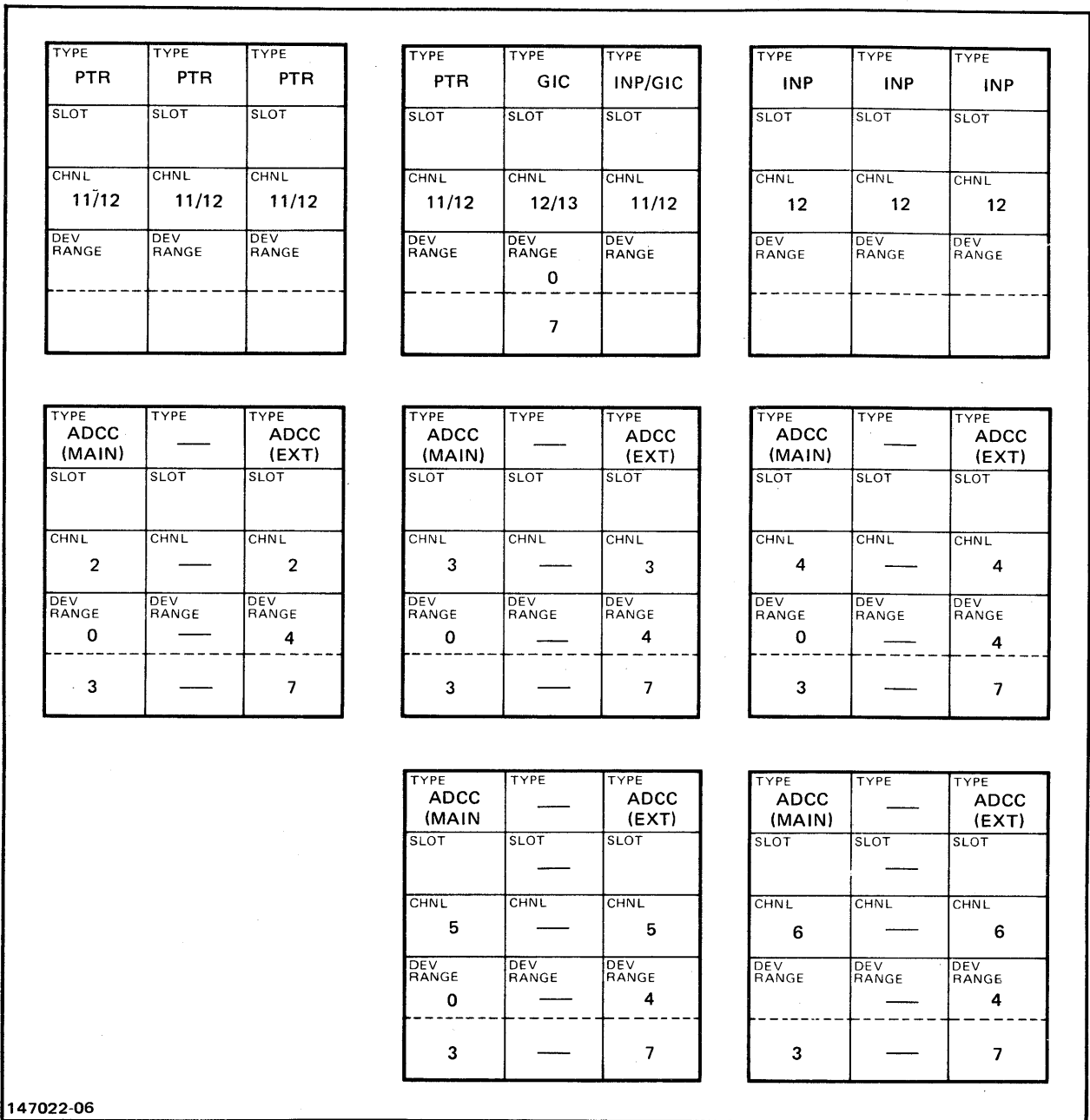
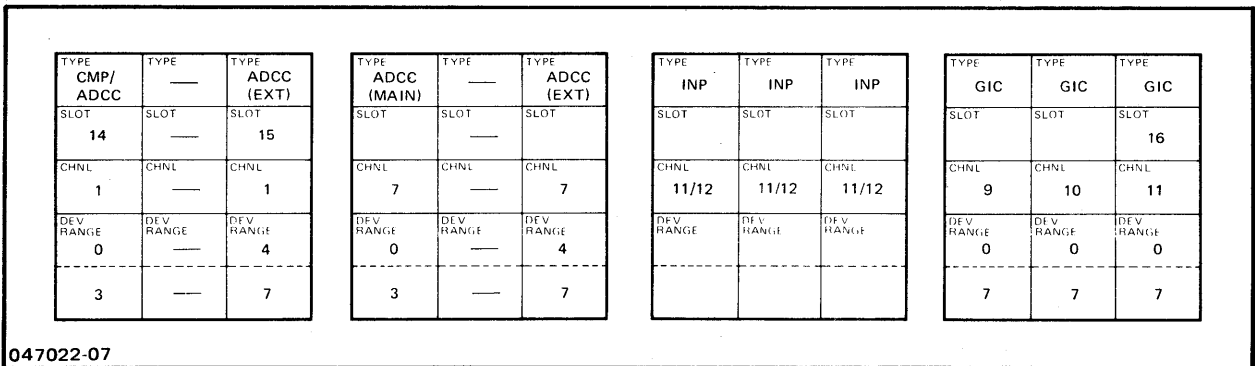


Figure 3. Series 44 Side Junction Panel



147022-06

Figure 4. Series 44 Side Junction Panel Identification Chart



047022-07

Figure 5. Series 44 Rear Junction Panel Identification Chart

Table 1. Suggested System Configuration Matrix

Device Type	Channel No.	Device No.
Tape Drives (1 thru 4)	9	1
Tape Drives (5 thru 8)	10	1
System Disc Controller	11	0,1
Line Printers	11	2 thru 4
INP's	11	5 thru 7
Flexible Disc Drive	12	0
Additional Line Printers	12	0 thru 3
Additional INP's	12	4 thru 7
HP 2608A printer	13	1

Table 2. GIC Configuration Restrictions

Channel 9	One tape drive master only
Channel 10	One tape drive master only
Channel 11	Disc drives and internal peripherals only
Channel 12	No disc drives, three external peripherals only, up to eight internal peripherals
Channel 13	One 2680A laser printer only