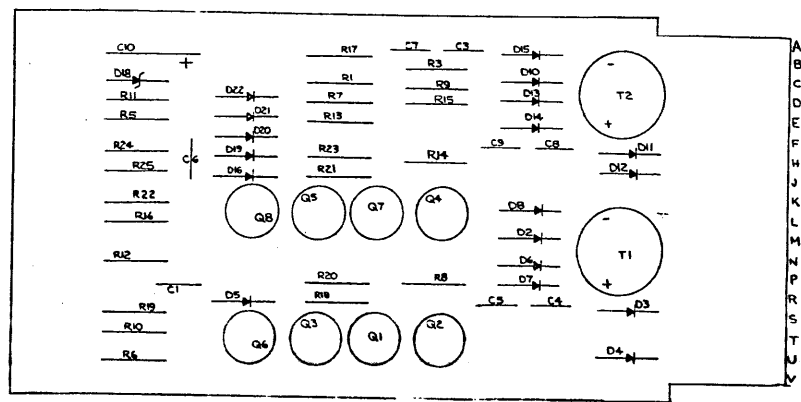
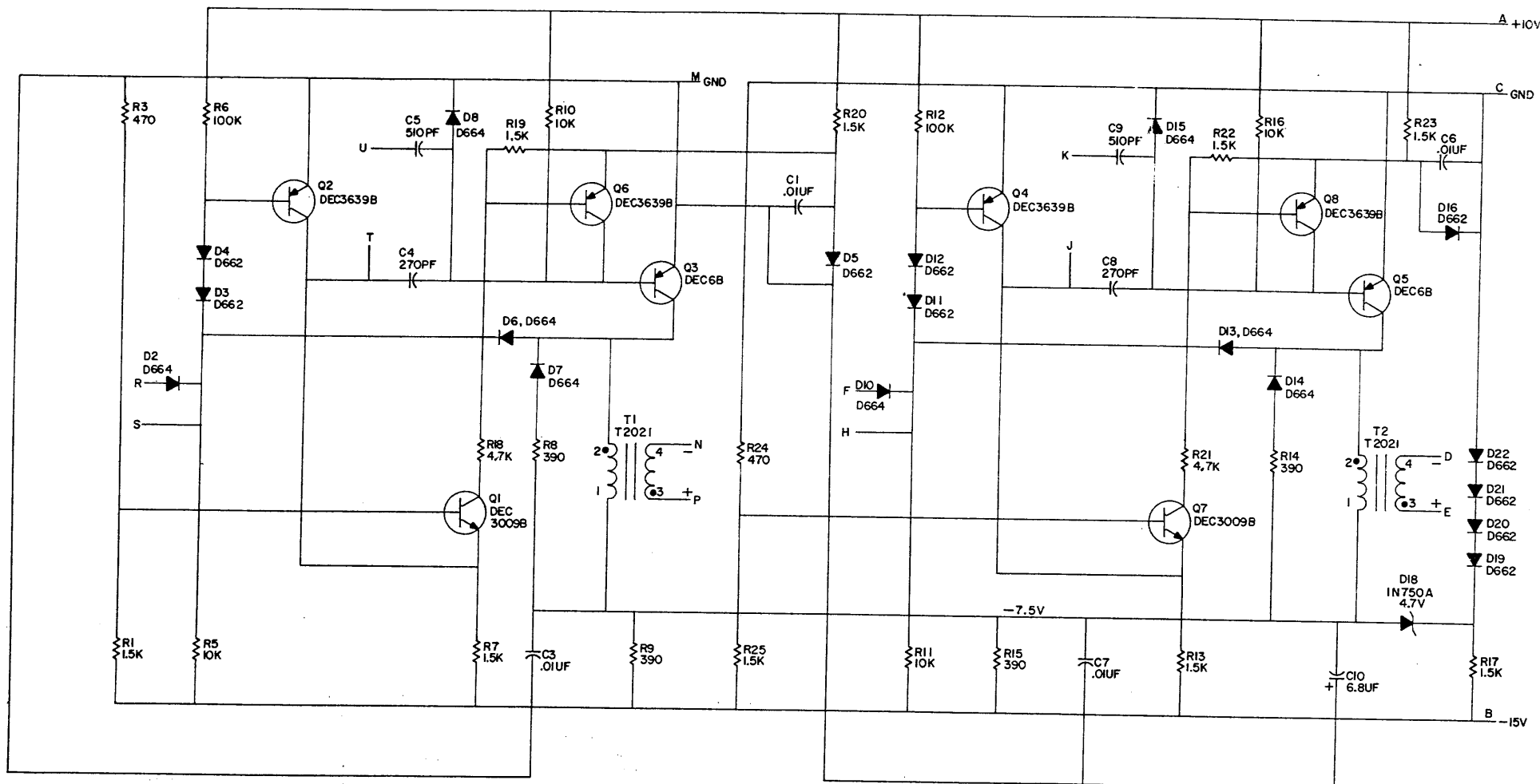


THIS SCHEMATIC IS FURNISHED ONLY FOR TEST AND MAINTENANCE PURPOSES. THE CIRCUITS ARE PROPRIETARY IN NATURE AND SHOULD BE TREATED ACCORDINGLY. COPYRIGHT 1972 BY DIGITAL EQUIPMENT CORPORATION

1-VA-219A
REV. 10/72



QTY.	REF. DESIGNATION	DESCRIPTION	DEC PART NO.
2		RYLETS	9C06732
1		HANDB, FLIP CHIP - WHITE	9008337-03
2	T1, T2	TRANSFORMER T2021	5200658
2	Q3, Q5	TRANSISTOR DEC-6B	1509090-01
2	Q1, Q7	TRANSISTOR DEC 3009B-S	1503100
4	Q8, Q4, Q6, Q2	TRANSISTOR DEC 3639B	1502762
2	R3, R24	RES. 470 $\frac{1}{4}$ W 5%	1300316
2	R6, R12	RES. 100K $\frac{1}{4}$ W 5%	1302466
4	R5, R10, R11, R16	RES. 10K $\frac{1}{4}$ W 10%	1300481
2	R18, R21	RES. 4.7K $\frac{1}{4}$ W 5%	1300447
9	R1, 7, 13, 17, 19, 20, 22, 23, 25	RES. 1.5K $\frac{1}{4}$ W 5%	1300391
4	R8, 9, 14, 15	RES. 390 $\frac{1}{4}$ W 10%	1300310
1	D18	DIODE 1N750A	1100124
8	D2, 6, 7, 8, 10, 13, 14, 15	DIODE D664	1100114
10	D3, 4, 5, 11, 12, 16, 19, 20, 21, 22	DIODE D662	1100111
2	C5, C9	CAP. 510PF 15V 5% D.M.	1002476
4	C1, 3, 6, 7	CAP. .01UF 100V 20% MISC	1001610
1	C10	CAP. 6.8UF 35V 20% S.TANT	1000067
2	C4, C8	CAP. 270PF 100V 5% D.M.	1000022
1		ETCHED CIRCUIT BOARD	5003608
		MODULE ECO HISTORY	B-MH-W612-YA-6
		ASSY/DRILLING HOLE LAYOUT	D-AH-W612-YA-5
		X-Y COORDINATE HOLE LOCATION	K-CO-W612-YA-4
		DESCRIPTION	DEC PART NO.

DEC FORM NO. 103 111

REVISIONS
CHKD BY
DATE

DATE 3/11/72
BY J. H. Miller
DATE 11/1/72
BY J. H. Miller
DATE 2/1/72
BY J. H. Miller

DATE	BY	DESCRIPTION
3/11/72	J. H. Miller	TRANSISTOR & DIODE CONVERSION CHART
11/1/72	J. H. Miller	
2/1/72	J. H. Miller	

digital EQUIPMENT CORPORATION
PULSE AMPLIFIER
NUMBER W612-YA-1
PRINTED CIRCUIT REV. 10