

" THE MATERIAL HEREIN IS FOR INFORMATION PURPOSES ONLY AND IS SUBJECT TO CHANGE WITHOUT NOTICE. DIGITAL EQUIPMENT CORPORATION ASSUMES NO RESPONSIBILITY FOR ANY ERRORS WHICH MAY APPEAR HEREIN."

## TABLE OF CONTENTS

" THIS DRAWING AND SPECIFICATIONS, HEREIN, ARE THE PROPERTY OF DIGITAL EQUIPMENT CORPORATION AND SHALL NOT BE REPRODUCED OR COPIED OR USED IN WHOLE OR IN PART AS THE BASIS FOR THE MANUFACTURE OR SALE OF ITEMS WITHOUT WRITTEN PERMISSION." COPYRIGHT © 1982 DIGITAL EQUIPMENT CORPORATION.

# FIELD MAINTENANCE PRINT SET

B-TC-RX50-0-1	FIELD MAINTENANCE PRINT SET (RX50)
E-UA-RX50-0-DBU	RX50 DUAL FLOPPY DISK DRIVE
K-PL-RX50-0-DBP	RX50 DUAL FLOPPY DISK DRIVE (PL)
B-DD-RX50-0	DRAWING DIRECTORY (RX50)
D-CS-5415066-0-1	SEEK/INTERFACE BOARD
D-CS-5415111-0-1	READ/WRITE BOARD
D-CS-5415074-0-1	SPINDLE MOTOR SPEED CONTROL BOARD
C-1A-7018834-0-DBU	CABLE ASSY. WRITE/PROTECT
C-1A-7018835-0-DBU	CABLE ASSY., INDEX
C-1A-7018418-0-DBU	CABLE ASSY., R/W
B-1A-7018933-0-DBU	CABLE ASSY., SOLENIOD
B-1A-7018931-0-DBU	CABLE ASSY., TRACK-O-SENSOR
B-1A-7019041-0-DBU	CABLE ASSY., BEZEL LED

UNIT VARIATIONS COVERED BY THIS PRINT SET

RX50-AA

RX50  
FIELD MAINTENANCE  
PRINT SET

DIGITAL EQUIPMENT  
CORPORATION

PRINT SET PART NUMBER MP-01482

REVISIONS	REV.	A
	CHANGE NO.	
CHK	INITIAL	

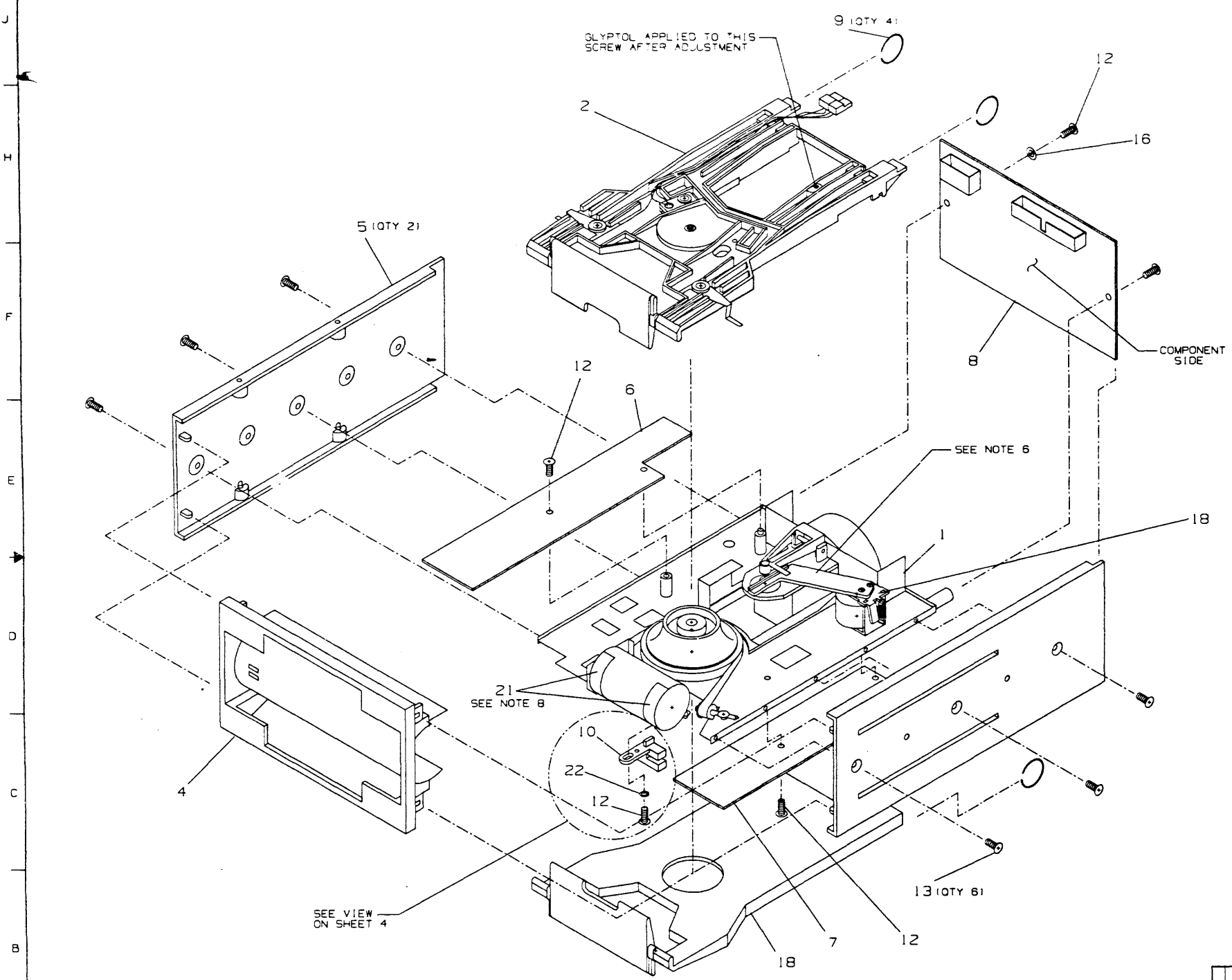
USED ON OPTION/MODEL	DRN.	DATE	TITLE	digital
RX50-AA	G. MACKENZIE	7/13/82	FIELD MAINT. PRINT SET (RX50)	
	CHK'D	DATE		
	M. CARMAN	7/13/82		
	PROJ. ENG.	DATE		
	M. CARMAN	7/13/82		
	FIELD SERV.	DATE		
	R. AYRES	7/13/82		
			SIZE CODE	NUMBER
			B TC	RX50-0-DBU
				REV.
				A
SHEET . OF 1			DIST.	

THIS DRAWING AND SPECIFICATIONS, HEREINAFTER THE PROPERTY OF DIGITAL EQUIPMENT CORPORATION AND SHALL NOT BE REPRODUCED OR COPIED OR USED IN WHOLE OR IN PART AS THE BASIS FOR THE MANUFACTURE OR SALE OF ITEMS WITHOUT WRITTEN PERMISSION.  
 COPYRIGHT © 1982 DIGITAL EQUIPMENT CORPORATION

LEGEND	
PART NO.	REVISION
RX50-AA	A1
	AS SHOWN

NOTES:

1. WHEN INSTALLING CONE LIFT RETURN SPRINGS (ITEM 9) OPEN PORTION OF SPRING SHOULD FACE REAR OF UNIT WITH FORWARD PORTION BEING RETAINED BY SLOT IN CONE LIFT COVER.
2. WHEN DRESSING BEZEL L.E.D. CABLE IT MUST BE UNDER DC MOTOR CABLE.
3. AFTER INSTALLING READ/WRITE BOARD (ITEM 7) AND SPINDLE MOTOR SPEED CONTROL BOARD (ITEM 6) BE SURE THE DRIVE BELT CLEARS ALL OBSTRUCTIONS.
4. BEFORE INSTALLING SIDE PLATES (ITEM 5) HEAD CABLES MUST BE IN POSITION OF STRAIN RELIEF FEATURE IN BASEPLATE (ITEM 1) SO SIDE PLATE WILL PROPERLY RESTRAIN IT AFTER INSTALLATION.
5. AFTER INSTALLING SIDE PLATES (ITEM 5) SQUEEZE PLATES TOGETHER JUST BEHIND BEZEL (ITEM 4) SO AS TO FULLY SEAT THEM IN BEZEL.
6. LIFTER ARM MUST BE POSITIONED UNDER HEAD LOAD ARM BEFORE TIGHTENING SOLENOID DOWN.
7. AFTER ASSY BE SURE ALL WIRES AND OTHER ABSTRUCTIONS ARE CLEARED FROM THE AREA IN WHICH THE DISKETT RESIDES.
8. BEFORE INSTALLING BEZEL, CUT TAPE TO 2.5 ±.2 LENGTH AND INSTALL ON BOTH ENDS TO COVER FRONT HALF OF MOTOR.



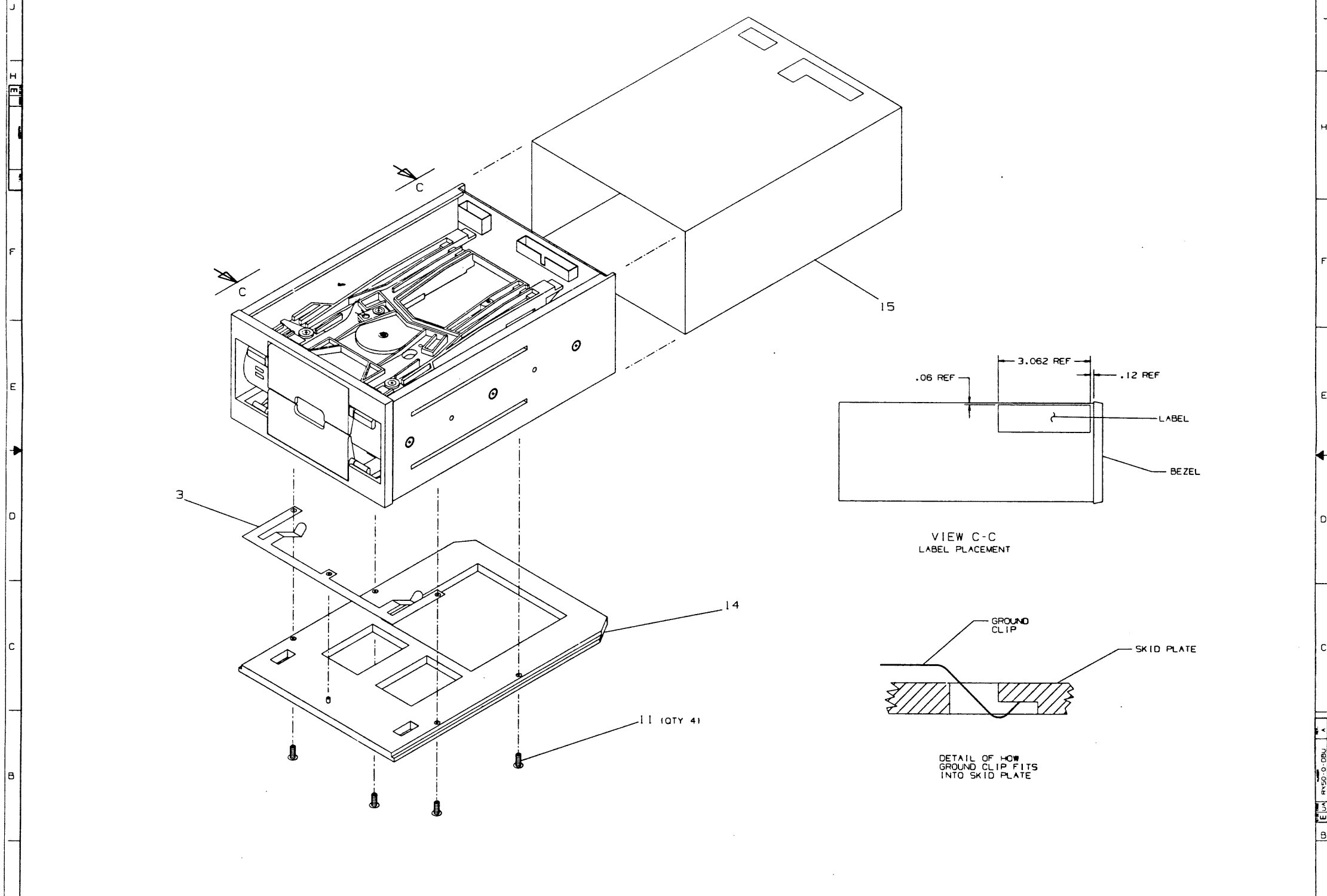
CAUTION! OFF-SHEET PARTS LIST EXISTS  
 SEE K-PL-RX50-0-DBP

DESCRIPTION	DRAWING NO.	PART NO.	REV.
UNLESS OTHERWISE SPECIFIED DIMENSIONS ARE IN INCHES AND THE FOLLOWING TOLERANCES APPLY (PER DEC STD 114)			
DIMENSION RANGE IN INCHES			
0 - 1/8	1/8 - 1/4	1/4 - 3/8	3/8 - 1
±.0005	±.001	±.0015	±.002
FINISH			
NONE			
MATERIAL		SEE PARTS LIST	
FINISH		NONE	
TITLE		RX50 UNIT ASSY	
DRAWN		M. CARSON	
CHECKED		D. BARRON	
APPROVED		M. CARSON	
DATE		30 MAR 82	
BY		P. BARTON	
DATE		30 MAR 82	
BY		EUA	
DATE		171	
BY		171	

REV.	INITIAL
A	

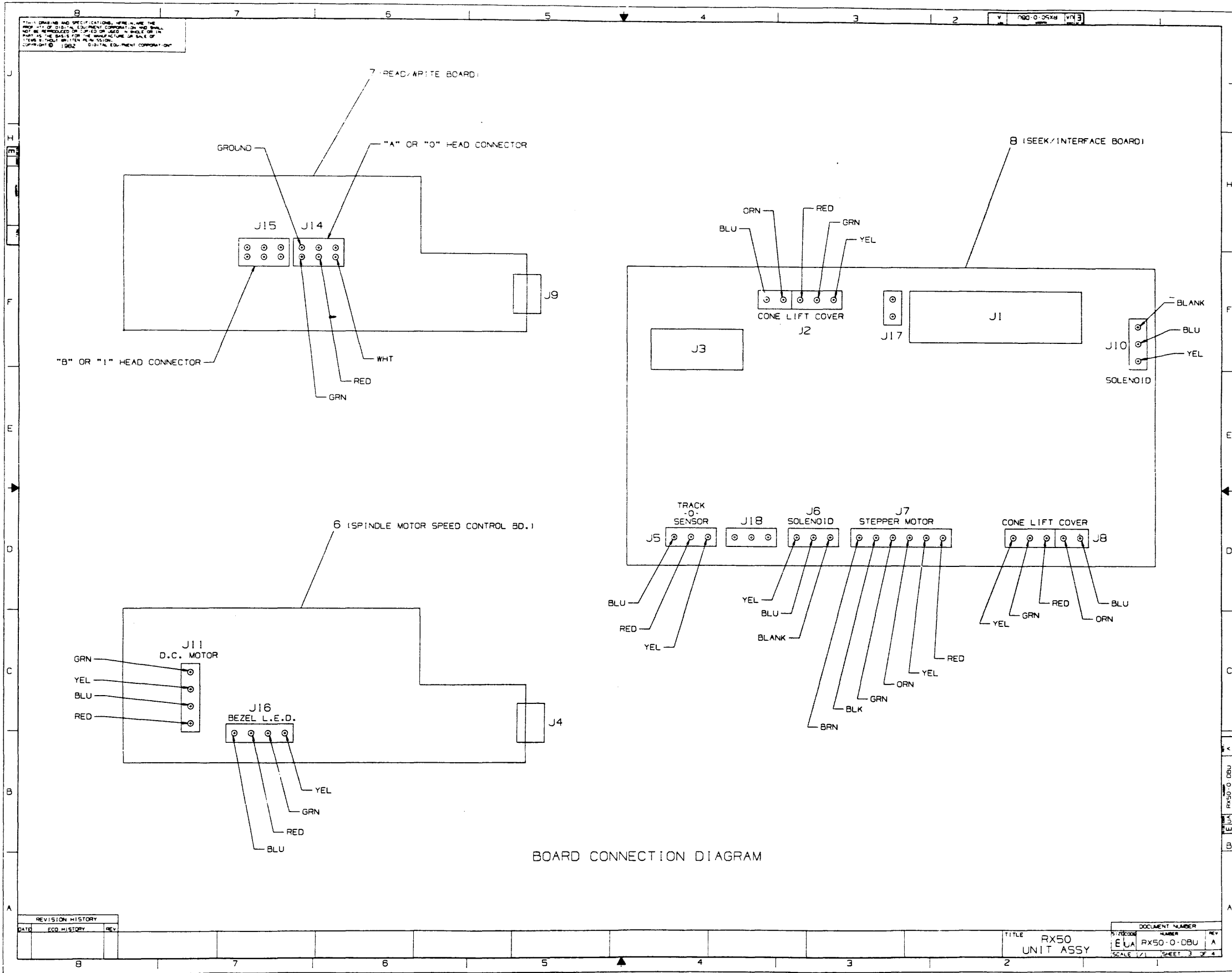
THIS DRAWING AND SPECIFICATIONS HEREIN ARE THE PROPERTY OF DIGITAL EQUIPMENT CORPORATION AND SHALL NOT BE REPRODUCED OR COPIED OR USED IN WHOLE OR IN PART AS THE BASIS FOR THE MANUFACTURE OR SALE OF ITEMS WITHOUT WRITTEN PERMISSION.  
 COPYRIGHT © 1982 DIGITAL EQUIPMENT CORPORATION

3  
 100 0-0548 v14



REVISION HISTORY		
DATE	ECO HISTORY	REV

TITLE	RX50 UNIT ASSY	DOCUMENT NUMBER	EUA RX50-0-DBU
SCALE	1/1	SHEET	2 OF 4



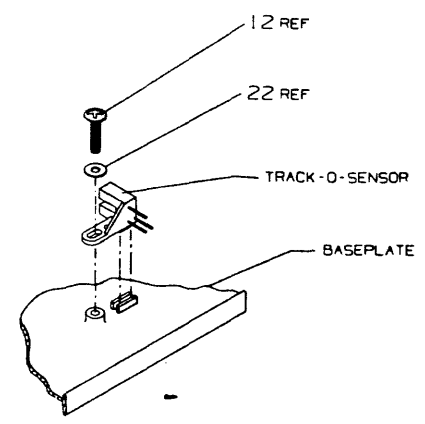
BOARD CONNECTION DIAGRAM

REVISION HISTORY		
DATE	ECO HISTORY	REV

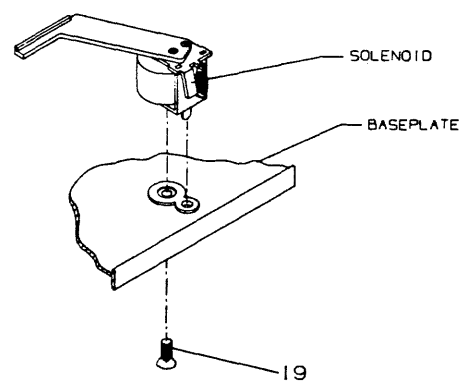
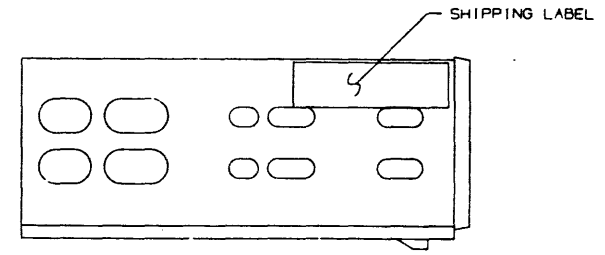
TITLE	RX50 UNIT ASSY	DOCUMENT NUMBER	EUA RX50-0-DBU   A
SCALE	1/1	SHEET	3 OF 4

THIS DRAWING AND SPECIFICATIONS ARE THE PROPERTY OF DIGITAL EQUIPMENT CORPORATION AND SHALL NOT BE REPRODUCED OR COPIED IN WHOLE OR IN PART AS THE BASIS FOR THE MANUFACTURE OR SALE OF ITEMS WITHOUT WRITTEN PERMISSION. COPYRIGHT © 1982 DIGITAL EQUIPMENT CORPORATION

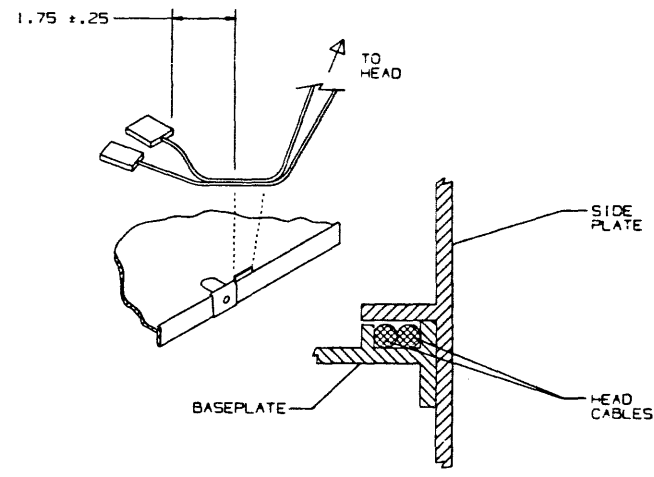
100-0-05X4



MOUNTING POSITION FOR TRACK-O-SENSOR



MOUNTING POSITION FOR SOLENOID



HEAD CABLE STRAIN RELIEF

REVISION HISTORY		
DATE	ECO. HISTORY	REV.

TITLE		DOCUMENT NUMBER	
RX50 UNIT ASSY		100-0-05X4	
SCALE	SHEET	OF	
1/1	4	4	

AUTOMATED BY PRTLST.4Q(50)

P A R T S L I S T

SHEET A1 OF A1

LINE	ITEM	DOCUMENT NUMBER	PART NUMBER	DESCRIPTION	QUANTITY PER VARIATION
1	1		EKDM250-IN	DECMATE II RX50 DRIVE OPTION INS	1
2	2		ORX50-AA	DUAL 5.25" SINGLE SIDED FLOPPY D	1
3	3		1700317-04	CABLE ASSY 34COND SHIELDED 14.5	1
4	4		3700694-01	PKG DISK DRIVE RX50	1
5	5		4700042-00	*** THIS ITEM IS NOT USED ***	-
6	6		3620222-01	LABEL, CONFIGURATION	1
7	7		4700043-00	SCREWDRIVER, PHILLIPS #1	1

REVISION HISTORY			BASIC PART NO: ORX50		D I G I T A L	
ENG	ECO NUMBER	REV	SECTION A OF A	DRN: D. HEALY	DATE: 29-NOV-82	TITLE PARTS LIST
FC	INITIAL RX50-X-ML001	A B	SECTION VARIATION INDEX [A] XA	CHK'D: D. HEALY	DATE: 01-DEC-82	RX50 UPGRADE DRIVE KIT
			[B]	DES.ENG.: F. CHALOUX	DATE: 01-DEC-82	DOCUMENT NUMBER
			[C]	RESP.ENG.: F. CHALOUX	DATE: 01-DEC-82	SIZE CODE NUMBER REV
			[D]			K PL RX50-X-DBP B
			[E]	MFG.ENG.: E. TOMKINS	DATE: 01-DEC-82	FILE NAME: Z5979B.PLS
			[F]	ASSEMBLY NUMBER: K-PL-RX50-X-DBP	TOP DOCUMENT NUMBER: B-PL-RX50-X-1	EDIT # 5
<p>"THIS DRAWING AND SPECIFICATIONS HEREIN, ARE THE PROPERTY OF DIGITAL EQUIPMENT CORPORATION AND SHALL NOT BE REPRODUCED OR COPIED OR USED IN WHOLE OR IN PART AS THE BASIS FOR THE MANUFACTURE OR SALE OF ITEMS WITHOUT WRITTEN PERMISSION. COPYRIGHT (C) 1983. DIGITAL EQUIPMENT CORPORATION "</p>						

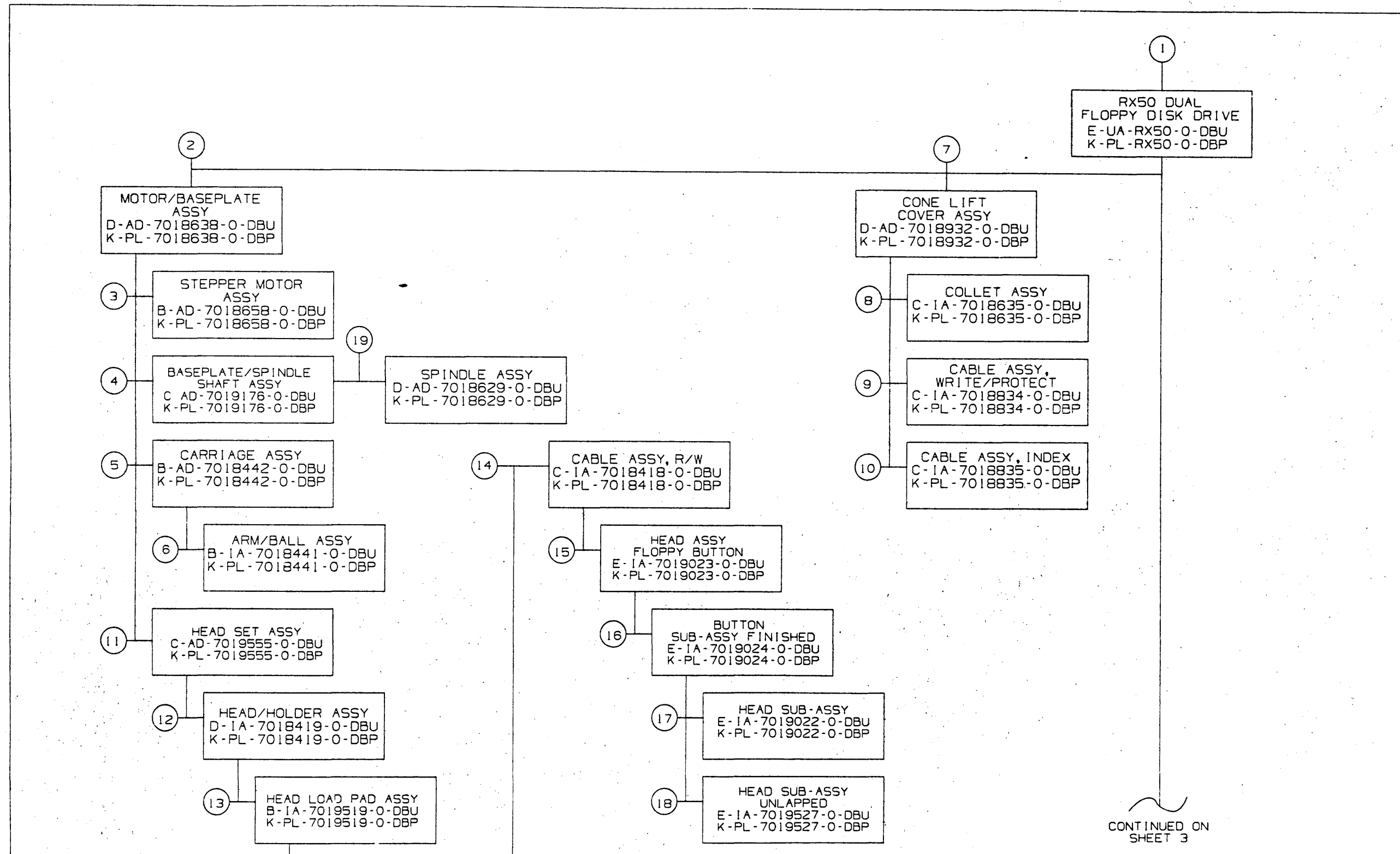
" THE MATERIAL HEREIN IS FOR INFORMATION PURPOSES ONLY AND IS SUBJECT TO CHANGE WITHOUT NOTICE. DIGITAL EQUIPMENT CORPORATION ASSUMES NO RESPONSIBILITY FOR ANY ERRORS WHICH MAY APPEAR HEREIN."

### DRAWING DIRECTORY

" THIS DRAWING AND SPECIFICATIONS, HEREIN, ARE THE PROPERTY OF DIGITAL EQUIPMENT CORPORATION AND SHALL NOT BE REPRODUCED OR COPIED OR USED IN WHOLE OR IN PART AS THE BASIS FOR THE MANUFACTURE OR SALE OF ITEMS WITHOUT WRITTEN PERMISSION." COPYRIGHT © 1982 DIGITAL EQUIPMENT CORPORATION.

UNIT VARIATIONS	
VAR	TITLE
RX50-AA	DUAL FLOPPY DISK DRIVE

REVISIONS											
CHK	CHANGE NO.	REV.	INITIAL	USED ON OPTION/MODEL	DRN.	DATE	TITLE	<b>digital</b>			
				RX50-AA	R. PUDELKO	1FEB82	RX50 DUAL FLOPPY DISK DRIVE				
					CHK'D	DATE					
					PROJ. ENG.	DATE					
					PROD.	DATE					
							SIZE	CODE	NUMBER	REV.	
							BDD		RX50-0	A	
					TOP DOC.	B-DD-RX50-0	DIST.				
				SHEET 1 OF 6							

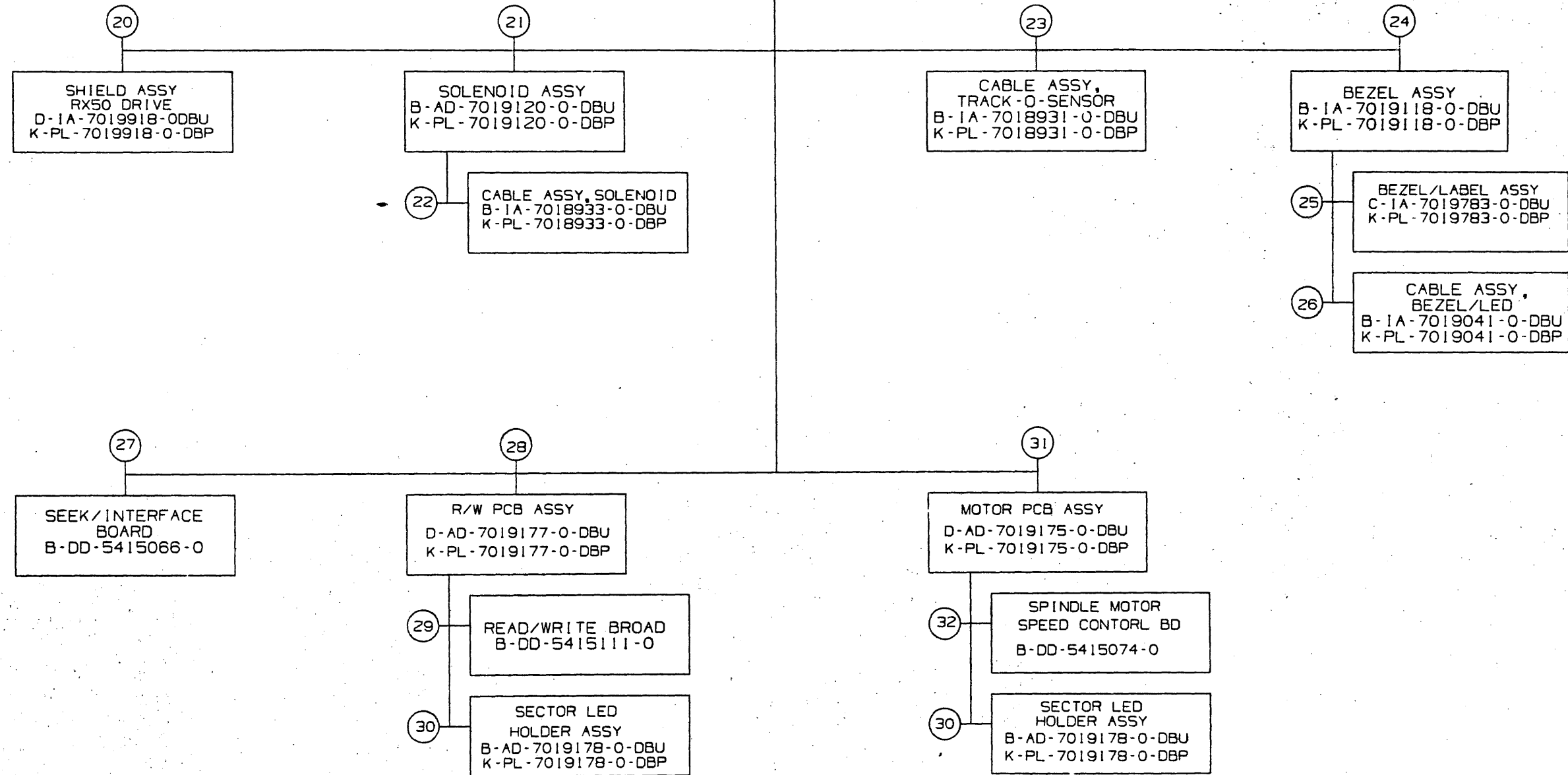


CONTINUED ON SHEET 3

TITLE: RX50 DUAL FLOPPY DISK DRIVE	SHEET 2 OF 6	SIZE CODE B DD	NUMBER RX50-0	REV. A
---------------------------------------	--------------	-------------------	------------------	-----------



CONTINUED FROM  
SHEET 2



TITLE:	SIZE CODE	NUMBER	REV.
RX50 DUAL FLOPPY DISK DRIVE	BDD	RX50-0	A

SHEET 3 OF 6

FIND NO.	DRAWING NO.	DESCRIPTION	TYPE	FIND NO.	DRAWING NO.	DESCRIPTION	TYPE
1	MPI482	RX50 (MP)	-				
	B-TC-RX50-0-1	RX50 FIELD MAINTENANCE PRINT SET (TC)	-				
	E-UA-RX50-0-DBU	RX50 DUAL FLOPPY DISK DRIVE	M				
	K-PL-RX50-0-DBP	RX50 DUAL FLOPPY DISK DRIVE (PL)	M				
	B-PL-RX50-0	RX50 SHIPPING LIST	-	5	B-AD-7018442-0-DBU	CARRIAGE ASSY	M
	A-SP-RX50-0-3	RX50 PRODUCT SPECIFICATION	E/M		K-PL-7018442-0-DBP	CARRIAGE ASSY (PL)	M
	E-MD-7425241-0-DBU	PLATE, SIDE	M		E-MD-7425218-0-DBU	CARRIAGE	M
	C-MD-7425234-0-DBU	SPRING, RETURN CONE LIFT COVER	M		B-MD-7425248-0-DBU	NUT, BAR	M
	D-MD-7425652-0-DBU	PLATE, SKID	M		B-MD-7425226-0-DBU	SPACER, FOLLOWER ARM	M
	D-MD-7426536-0-DBU	CLIP, GROUNDING	M				
	D-MD-9906962-0-DBU	INSERT, SHIPPING					
				6	B-1A-7018441-0-DBU	ARM/BALL ASSY	M
					K-PL-7018441-0-DBP	ARM/BALL ASSY (PL)	M
					D-MD-7425223-0-DBU	ARM, FOLLOWER	M
					B-MD-7425533-0-DBU	BALL	M
2	D-AD-7018638-0-DBU	MOTOR/BASEPLATE ASSY	E/M				
	K-PL-7018638-0-DBP	MOTOR/BASEPLATE ASSY (PL)	E/M	7	D-AD-7018932-0-DBU	CONE LIFT COVER ASSY	E/M
	D-MD-7425832-0-DBU	SPRING, CARRIAGE	M		K-PL-7018932-0-DBP	CONE LIFT COVER ASSY (PL)	E/M
	B-MD-7425214-0-DBU	SHAFT, IDLER	M		E-MD-7425233-0-DBU	LIFT, CONE	M
	B-MD-7425826-0-DBU	PELLET, RUBBER	M		E-MD-7425239-0-DBU	DOOR	M
	B-MD-7425224-0-DBU	SHAFT, GUIDE	M		B-MD-7425232-0-DBU	SPRING, CONICAL	M
	C-MD-7425827-0-DBU	SHOE, SLIDE	M		B-MD-7425236-0-DBU	SPACER, WP SWITCH	M
	1218677-0-0	MOTOR, SPINDLE DRIVE	M		B-MD-7425231-0-DBU	SHAFT, COLLET	M
	1218835-0-0	BELT, WOVEN ENDLESS	M		B-MD-7425225-0-DBU	PAD, REF PLANE LOAD	M
	B-MD-7425244-0-DBU	PULLEY, IDLER	M				
				8	C-1A-7018635-0-DBU	COLLET ASSY	M
3	B-AD-7018658-0-DBU	STEPPER MOTOR ASSY	E/M		K-PL-7018635-0-DBP	COLLET ASSY (PL)	M
	K-PL-7018658-0-DBP	STEPPER MOTOR ASSY (PL)	E/M		D-MD-7425230-0-DBU	COLLET	M
	1218676-0-0	MOTOR, STEPPER 12V DC	E/M				
	E-MD-7425243-0-DBU	LEAD SCREW, POSITIONER	M				
	B-MD-7425228-0-DBU	SPACER	M				
				9	C-1A-7018834-0-DBU	CABLE ASSY, WRITE/PROTECT	E
					K-PL-7018834-0-DBU	CABLE ASSY, WRITE/PROTECT (PL)	E
					D-MD-7425237-0-DBU	SWITCH, WP UPPER	M
					D-MD-7425238-0-DBU	SWITCH, WP LOWER	M
4	C-AD-7019176-0-DBU	BASEPLATE/SPINDLE SHAFT ASSY	M				
	K-PL-7019176-0-DBP	BASEPLATE/SPINDLE SHAFT ASSY (PL)	M				
	E-MD-7425213-0-DBU	BASEPLATE	M				
	B-MD-7425217-0-DBU	SHAFT, SPINDLE	M				

TYPE: E ELECTRICAL  
M MECHANICAL  
E/M ELECTRO/MECHANICAL

digital

TITLE:

RX50 DUAL FLOPPY DISK DRIVE

SHEET 4 OF 6

SIZE CODE  
BDD

NUMBER  
RX50-0

REV.  
A

FIND NO.	DRAWING NO.	DESCRIPTION	TYPE	FIND NO.	DRAWING NO.	DESCRIPTION	TYPE
					C-MD-7426342-0-DBU	SHIELD, RX50 INNER	M
					B-MD-7426343-0-DBU	PIN, TERMINATION	M
					C-MD-7426997-0-DBU	BAR, ERASE BUTT (FLOPPY HEAD)	M
10	C-1A-7018835-0-DBU	CABLE ASSY, INDEX	E				
	K-PL-7018835-0-DBP	CABLE ASSY, INDEX (PL)	E				
	B-MD-7425235-0-DBU	HOLDER, SECTOR SENSOR	M				
				16	E-1A-7019024-0-DBU	BUTTON SUB-ASSY FINISHED	M
					K-PL-7019024-0-DBP	BUTTON SUB-ASSY FINISHED (PL)	M
					E-MD-7426349-0-DBU	BUTTON, PLASTIC FLOPPY	M
11	C-AD-7019555-0-DBU	HEAD SET ASSY, RX50	M				
	K-PL-7019555-0-DBP	HEAD SET ASSY, RX50 (PL)	M				
	C-MC-7426707-0-CBU	STRAIN RELIEF	M				
	1220021-0-0	RAT TAIL	M				
				17	E-1A-7019022-0-DBU	HEAD SUB-ASSY	M
					K-PL-7019022-0-DBP	HEAD SUB-ASSY (PL)	M
					E-MD-7426347-0-DBU	CORE ASSY R/W	M
					E-MD-7426348-0-DBU	CORE ASSY ERASE	M
					C-MD-7426346-0-DBU	SLIDER	M
12	D-1A-7018419-0-DBU	HEAD/HOLDER ASSY	E/M				
	K-PL-7018419-0-DBP	HEAD/HOLDER ASSY (PL)	E/M				
	D-MD-7425219-0-DBU	HOLDER, HEAD	M				
	D-MD-7425220-0-DBU	ARM HEAD LOAD	M				
	B-MD-7425222-0-DBU	SHAFT, LOAD ARM	M				
	D-MD-7425381-0-DBU	SPRING, TORSION	M				
	C-MD-7426979-0-DBU	SHIELD, HEAD, RX50	M				
				18	E-1A-7019527-0-DBU	HEAD SUB-ASSY UNLAPPED	M
					K-PL-7019527-0-DBP	HEAD SUB-ASSY UNLAPPED (PL)	M
					E-MD-7426347-0-DBU	CORE ASSY R/W	M
					E-MD-7426348-0-DBU	CORE ASSY ERASE	M
					C-MD-7426346-0-DBU	SLIDER	M
13	B-1A-7019519-0-DBU	HEAD LOAD PAD ASSY	M				
	K-PL-7019519-0-DBP	HEAD LOAD PAD ASSY (PL)	M				
	B-MD-7425245-0-DBU	PAD, HEAD LOAD	M				
	B-MD-7425221-0-DBU	HOLDER, HEAD LOAD PAD	M				
				19	D-AD-7018629-0-DBU	SPINDLE ASSY	M
					K-PL-7018629-0-DBP	SPINDLE ASSY (PL)	M
					E-MD-7425215-0-DBU	SPINDLE	M
					B-MD-7425249-0-DBU	SPACER, SPINDLE	M
14	C-1A-7018418-0-DBU	CABLE ASSY, R/W	E				
	K-PL-7018418-0-DBP	CABLE ASSY, R/W (PL)	E				
				20	E-1A-7019918-0-DBU	SHIELD ASSY RX50 DRIVE	M
					K-PL-7019918-0-DBP	SHIELD ASSY RX50 DRIVE (PL)	M
					E-MD-7427207-0-DBU	SHIELD, RX50 DRIVE	M
					D-MD-7427562-0-DBU	SHIELD, SOLENOID RX50	M
15	E-1A-7019023-0-DBU	HEAD ASSY FLOPPY BUTTON	E/M				
	K-PL-7019023-0-DBP	HEAD ASSY FLOPPY BUTTON (PL)	E/M				
	C-MD-7426344-0-DBU	SPRING BUTT BAR	M				
	C-MD-7426345-0-DBU	BAR R/W BUTT (FLOPPY HEAD)	M				

TYPE: E ELECTRICAL  
M MECHANICAL  
E/M ELECTRO/MECHANICAL



TITLE: RX50 DUAL FLOPPY DISK DRIVE SHEET 50F 6  
SIZE CODE: BDD  
NUMBER: RX50-0  
REV.: A

FIND NO.	DRAWING NO.	DESCRIPTION	TYPE	FIND NO.	DRAWING NO.	DESCRIPTION	TYPE
21	B-AD-7019120-0-DBU	SOLENOID ASSY	E/M				
	K-PL-7019120-0-DBP	SOLENOID ASSY (PL)	E/M	29	B-DD-5415111-0	READ/WRITE BOARD	E/M
	C-MD-7425227-0-DBU	ARM, LIFTER	E/M				
22	B-1A-7018933-0-DBU	CABLE ASSY SOLENOID	E	30	B-AD-7019178-0-DBU	SECTOR LED HOLDER ASSY	E/M
	K-PL-7018933-0-DBP	CABLE ASSY SOLENOID (PL)	E		K-PL-7019178-0-DBP	SECTOR LED HOLDER ASSY (PL)	E/M
					D-MD-7425831-0-DBU	HOLDER,L.E.D.	M
23	B-1A-7018931-0-DBU	CABLE ASSY, TRACK-O-SENSOR	E	31	D-AD-7019175-0-DBU	MOTOR PCB ASSY	E/M
	K-PL-7018931-0-DBP	CABLE ASSY, TRACK-O-SENSOR (PL)	E		K-PL-7019175-0-DBU	MOTOR PCB ASSY (PL)	E/M
24	B-1A-7019118-0-DBU	BEZEL ASSY	M	32	B-DD-5415074-0	SPINDLE MOTOR SPEED CONTROL BOARD	E/M
	K-PL-7019118-0-DBP	BEZEL ASSY (PL)	M				
			M				
25	C-1A-7019783-0-DBU	BEZEL/LABEL ASSY	M				
	K-PL-7019783-0-DBP	BEZEL/LABEL ASSY (PL)	M				
	D-MD-7425242-0-DBU	BEZEL FRONT	M				
26	B-1A-7019041-0-DBU	CABLE ASSY BEZEL LED	E				
	K-PL-7019041-0-DBP	CABLE ASSY BEZEL LED (PL)	E				
27	B-DD-5415066-0	SEEK/INTERFACE BOARD	E/M				
28	D-AD-7019177-0-DBU	R/W PCB ASSY	E/M				
	K-PL-7019177-0-DBP	R/W PCB ASSY (PL)	E/M				

TYPE: E ELECTRICAL  
M MECHANICAL  
E/M ELECTRO/MECHANICAL

digital

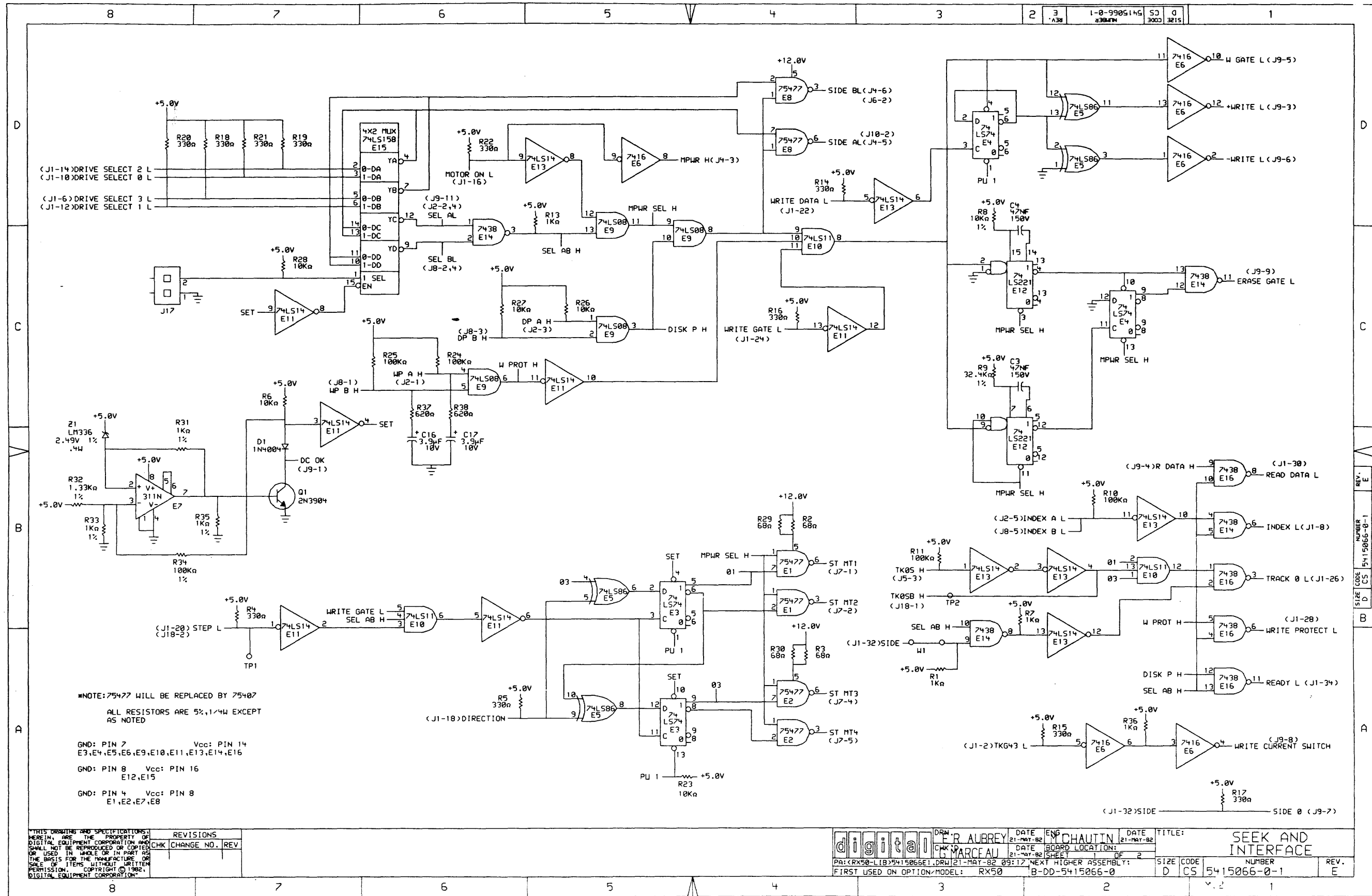
TITLE: RX50 DUAL FLOPPY DISK DRIVE

SHEET 6 OF 6

SIZE CODE  
BDD

NUMBER  
RX50-0

REV.  
A



NOTE: 75477 WILL BE REPLACED BY 75407  
 ALL RESISTORS ARE 5%, 1/4W EXCEPT AS NOTED

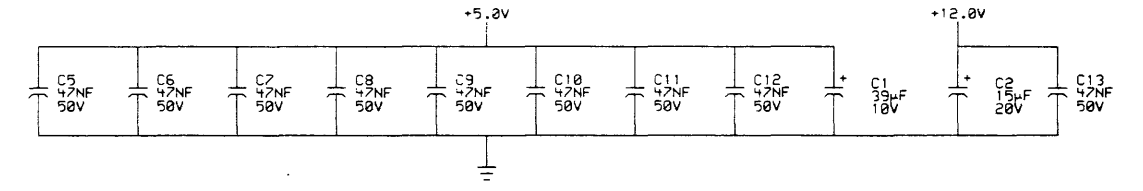
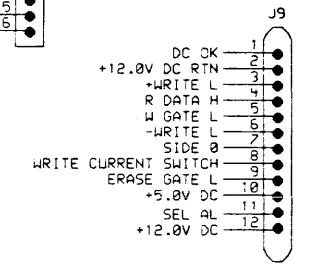
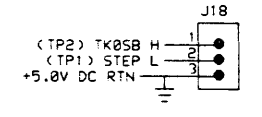
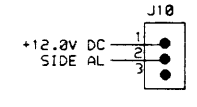
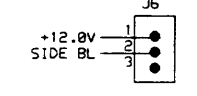
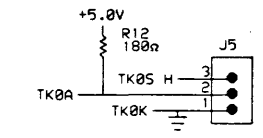
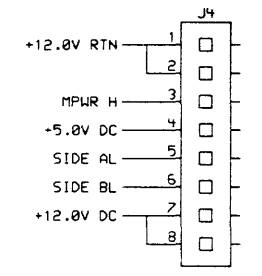
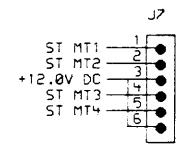
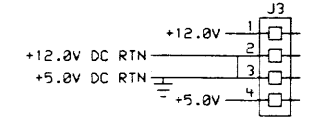
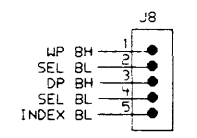
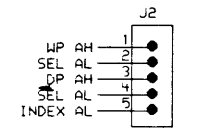
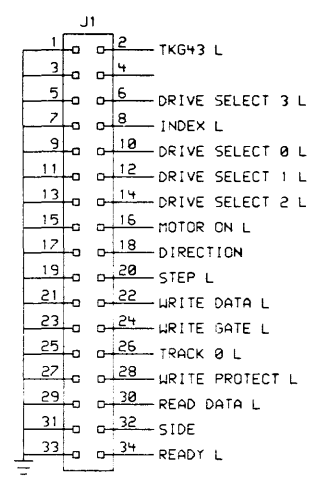
GND: PIN 7 Vcc: PIN 14  
 E3, E4, E5, E6, E9, E10, E11, E13, E14, E16

GND: PIN 8 Vcc: PIN 16  
 E12, E15

GND: PIN 4 Vcc: PIN 8  
 E1, E2, E7, E8

REVISIONS
CHK CHANGE NO. REV

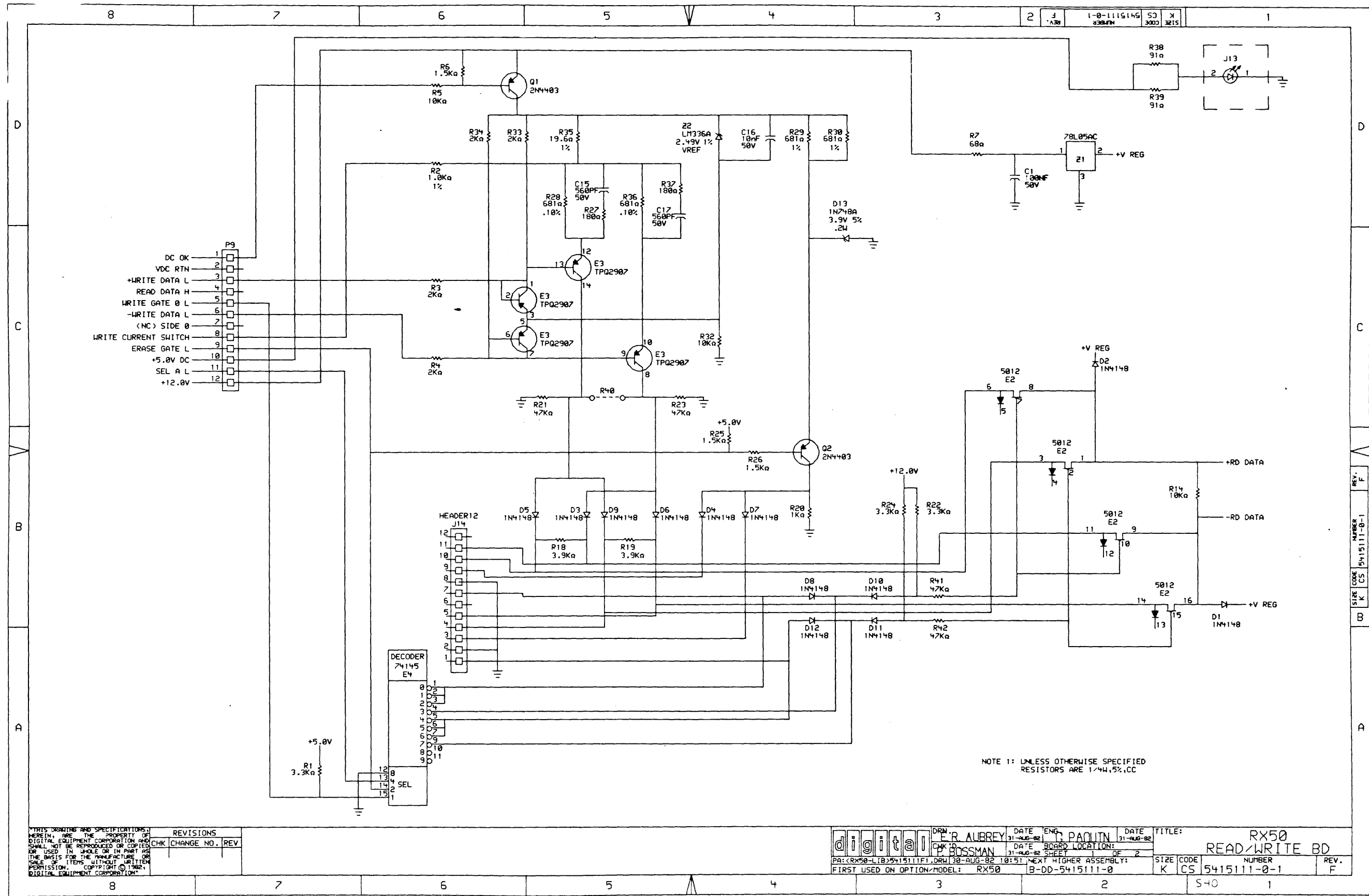
digital	DRW: R AUBREY	DATE: 21-MAY-82	ENG: M CHAUTIN	DATE: 21-MAY-82	TITLE: SEEK AND INTERFACE
CHK: J MARCEAU	DATE: 21-MAY-82	BOARD LOCATION: 1 OF 2			
PA: <RX50-LIB>5415066E1.DRW	21-MAY-82	09:12	NEXT HIGHER ASSEMBLY: B-DD-5415066-0	SIZE CODE: D CS	NUMBER: 5415066-0-1
FIRST USED ON OPTION-MODEL: RX50			B-DD-5415066-0	REV: E	



THIS DRAWING AND SPECIFICATIONS, HEREIN, ARE THE PROPERTY OF DIGITAL EQUIPMENT CORPORATION AND SHALL NOT BE REPRODUCED OR COPIED OR USED IN WHOLE OR IN PART AS THE BASIS FOR THE MANUFACTURE OR SALE OF ITEMS WITHOUT WRITTEN PERMISSION. COPYRIGHT © 1982, DIGITAL EQUIPMENT CORPORATION.

REVISIONS	CHK	CHANGE NO.	REV.

DRN	DATE	ENG	DATE	TITLE:
AUBREY	21-MAY-82	M	CHAUTIN	21-MAY-82
CHK	DATE	BOARD LOCATION:		
MARCEAU	21-MAY-82			
PA: <RX50-LIB>5415066E2.DRW	21-MAY-82	09:18	NEXT HIGHER ASSEMBLY:	
FIRST USED ON OPTION/MODEL:	RX50	18-DD-5415066-0	SIZE	CODE
			D	CS
			NUMBER	REV.
			5415066-0-1	E

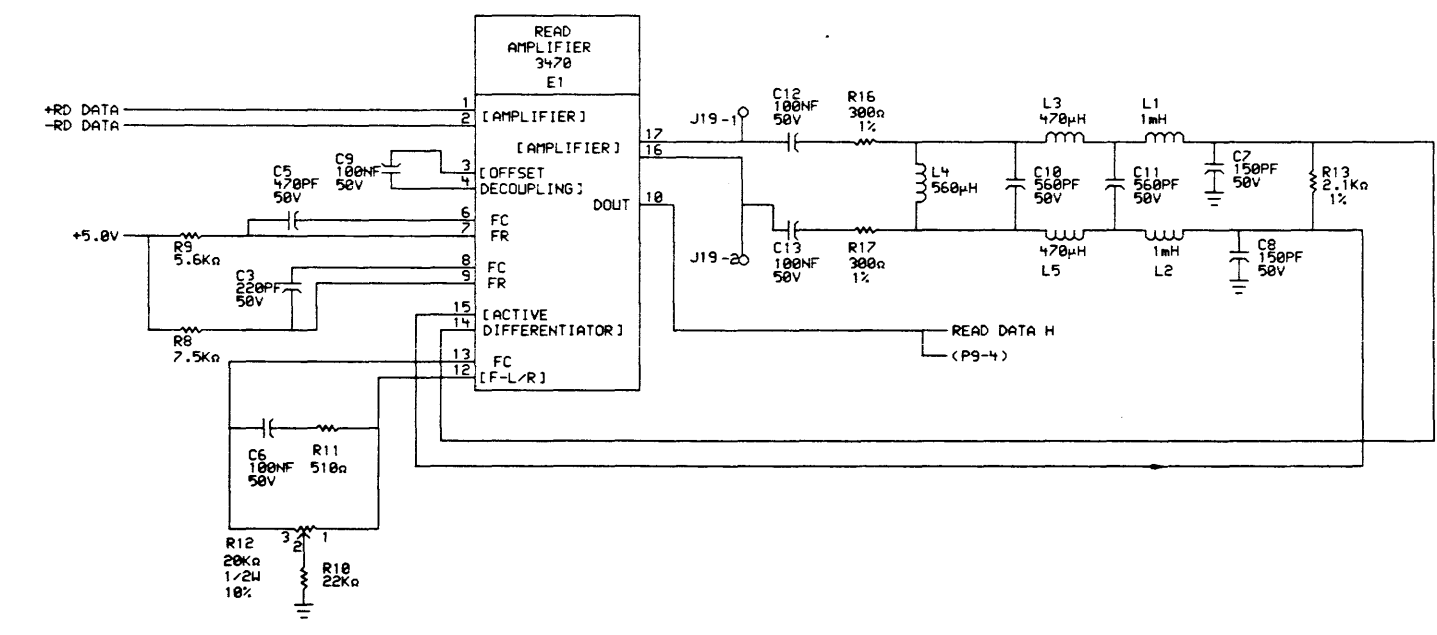
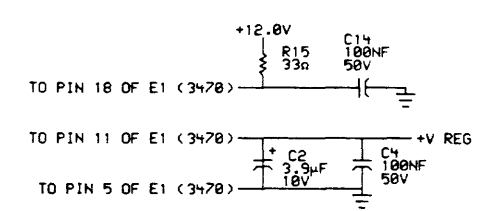


THIS DRAWING AND SPECIFICATIONS ARE THE PROPERTY OF DIGITAL EQUIPMENT CORPORATION AND SHALL NOT BE REPRODUCED OR COPIED OR USED IN WHOLE OR IN PART AS THE BASIS FOR THE MANUFACTURE OR SALE OF ITEMS WITHOUT WRITTEN PERMISSION. COPYRIGHT © 1982, DIGITAL EQUIPMENT CORPORATION.

REVISIONS		
CHK	CHANGE NO.	REV.

	DRN: R AUBREY CHK: P BOSSMAN	DATE: 31-06-82 DATE: 31-06-82	ENG: L PAULIN BOARD LOCATION: 1 OF 2	TITLE: RX50 READ/WRITE BD
PA: (RX50-LIB) 5415111.F, DRW: 30-AUG-82 10:51, NEXT HIGHER ASSEMBLY: B-DD-5415111-0				SIZE: K CS NUMBER: 5415111-0-1 REV.: F

REV. F  
 NUMBER 5415111-0-1  
 CS K CS  
 SIZE

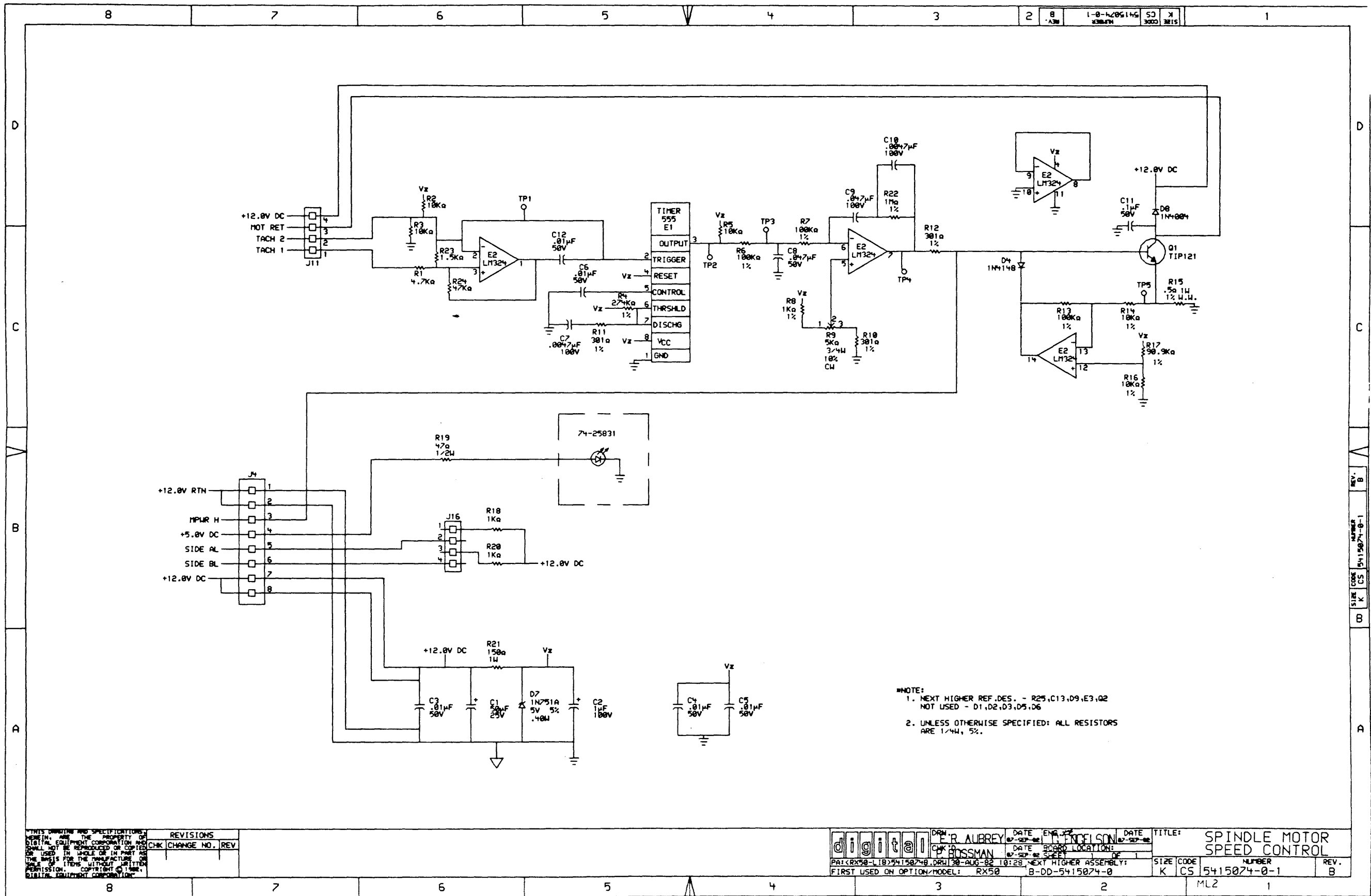


THIS DRAWING AND SPECIFICATIONS ARE THE PROPERTY OF DIGITAL EQUIPMENT CORPORATION AND SHALL NOT BE REPRODUCED OR COPIED OR USED IN WHOLE OR IN PART AS THE BASIS FOR THE MANUFACTURE OR SALE OF ITEMS WITHOUT WRITTEN PERMISSION. COPYRIGHT © 1982 DIGITAL EQUIPMENT CORPORATION.

REV.	CHANGE NO.	CHK

	DRN: E. R. AUBREY	DATE: 31-AUG-82	ENG: G. PAQUIN	DATE: 31-AUG-82	TITLE: RX50 READ/WRITE BD
	CHK: BOSSMAN	DATE: 31-AUG-82	BOARD LOCATION: 2	SHEET: 2 OF 2	
PA: <RX50-LIB>541511F2.DRW 130-AUG-82 10:58 NEXT HIGHER ASSEMBLY: B-DD-5415111-0		SIZE: K	CODE: CS	NUMBER: 5415111-0-1	REV.: F
FIRST USED ON OPTION/MODEL: RX50			SHO 1		





NOTE:  
 1. NEXT HIGHER REF. DES. - R25, C13, D9, E3, Q2  
 NOT USED - D1, D2, D3, D5, D6  
 2. UNLESS OTHERWISE SPECIFIED: ALL RESISTORS  
 ARE 1/4W, 5%.

THIS DRAWING AND SPECIFICATIONS  
 HEREIN ARE THE PROPERTY OF  
 DIGITAL EQUIPMENT CORPORATION AND  
 SHALL NOT BE REPRODUCED OR COPIED  
 OR USED IN WHOLE OR IN PART AS  
 THE BASIS FOR THE MANUFACTURE  
 OR SALE OF ITEMS WITHOUT WRITTEN  
 PERMISSION. COPYRIGHT © 1981,  
 DIGITAL EQUIPMENT CORPORATION

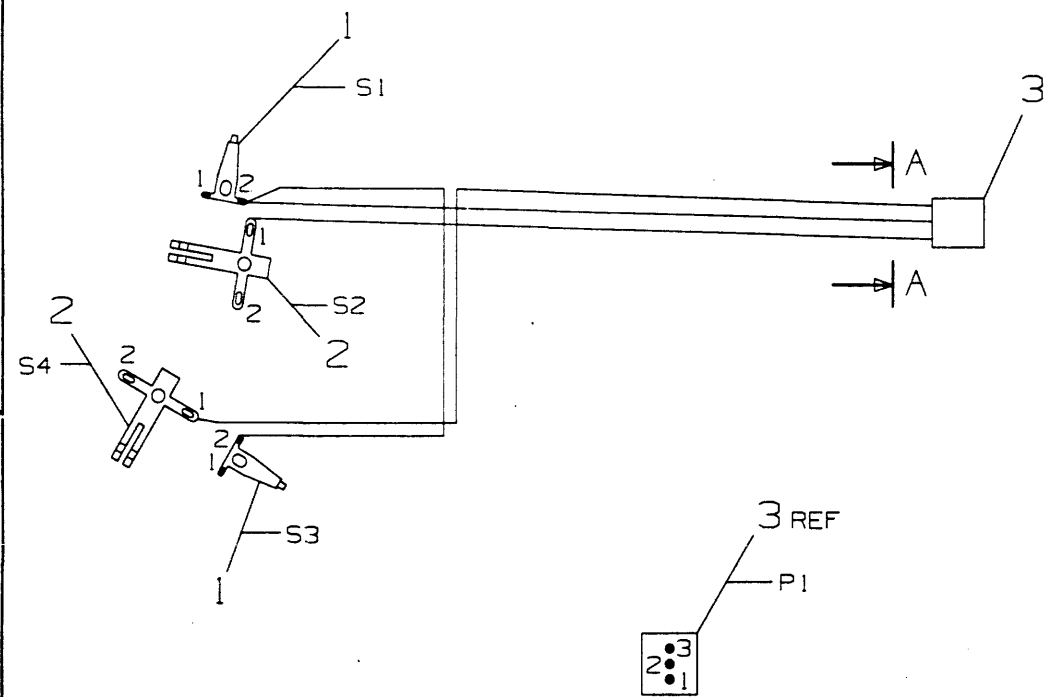
REV.	CHG	CHANGE NO.	REV.

TITLE: SPINDLE MOTOR SPEED CONTROL  
 SIZE: K CS  
 CODE: ML2  
 NUMBER: 5415074-0-1  
 REV.: B  
 DRAWN BY: R. AUBREY  
 DATE: 07-SEP-82  
 CHECKED BY: BOSSMAN  
 DATE: 07-SEP-82  
 PA: RX50-LIB 5415074-0-DRAW 30-AUG-82 10:28  
 FIRST USED ON OPTION MODEL: RX50  
 NEXT HIGHER ASSEMBLY: B-DD-5415074-0

"THIS DRAWING AND SPECIFICATIONS HEREIN ARE THE PROPERTY OF DIGITAL EQUIPMENT CORPORATION AND SHALL NOT BE REPRODUCED OR COPIED OR USED IN WHOLE OR IN PART AS THE BASIS FOR THE MANUFACTURE OR SALE OF ITEMS WITHOUT WRITTEN PERMISSION. COPYRIGHT © 1982 DIGITAL EQUIPMENT CORPORATION"

WIRE TABLE							
ITEM NO.	DESCRIPTION	COLOR	FROM		TO		PRECUT LENGTH
			CONN	WITH	CONN	WITH	
6	26	YEL	P1-1	---	S2-1	SLDR	7.38 ±.12
5	26	GRN	P1-2	---	S1-2	SLDR	7.38 ±.12
4	26	RED	P1-3	---	S4-1	SLDR	10.00 ±.12
5	26	GRN	S1-2	SLDR	S3-2	SLDR	7.70 ±.12

NOTES:



VIEW "A-A"

LEGEND		
PART NO.	REV	VARIATION
7018834-00	A1	AS SHOWN

LAYER 2 : FORMAT LAYER  
 LAYER 1 : WORK LAYER  
 PLOT AT : 1.00

CAUTION: OFF-SHEET PARTS LIST EXISTS  
 SEE K-PL-7018834-0-DBP

FIRST HIGHER ASS'Y  
 D-AD-7018932-0-DBU

DESCRIPTION	DRAWING NO.	PART NO.	ITEM NO.
UNLESS OTHERWISE SPECIFIED DIMENSIONS ARE IN INCHES AND THE FOLLOWING TOLERANCES APPLY (PER DEC STD 114)			
INCHES TOLERANCES .X: ±.1 .XX: ±.02 .XXX: ±.005	ANGLES ±0° 30'	APPLICABLE DIMENSION RANGE (CHECK ONE)	
		<input type="checkbox"/> OVER 0.2 TO 0.2	<input type="checkbox"/> OVER 0.2 TO 1.2
SURFACE QUALITY <input checked="" type="checkbox"/> MICROINCHES	MICROINCHES	DIMENSION RANGE IN INCHES	
		<input type="checkbox"/> OVER 0.2 TO 1.2	<input type="checkbox"/> OVER 1.2 TO 4.0
		<input type="checkbox"/> OVER 4.0 TO 12.0	<input type="checkbox"/> OVER 12.0 TO 40.0
		<input type="checkbox"/> OVER 40.0 TO 80.0	<input type="checkbox"/> OVER 80.0 TO 160.0
THIRD ANGLE PROJECTION		DRN A. PINKARD DATE 9 MAR 81	TITLE
DO NOT SCALE DRAWING		CHK'D M. CARMAN DATE 12 MAR 82	CABLE ASSY, WRITE/PROTECT
REMOVE BURRS AND BREAK SHARP CORNERS		DES. ENG. D. WARREN DATE 12 MAR 82	
MATERIAL. SEE PARTS LIST		RESP. ENG. M. CARMAN DATE 12 MAR 82	DOCUMENT NUMBER
FINISH		MFG. ENG. G. AIKEY DATE 12 MAR 82	SIZE CODE NUMBER
		TOP DOC. C-1A-7018834-0-DBU	C IA 7018834-0-DBU
			SCALE NONE SHEET 1 OF 1

REV.	CHG. NO.	INITIAL
A		MC

REV. A  
 NUMBER 7018834-0-DBU  
 SIZE CODE C IA

A

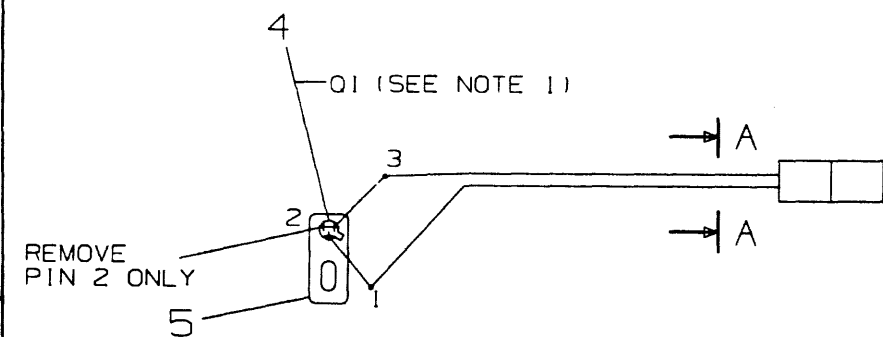
ML 1

"THIS DRAWING AND SPECIFICATIONS, HEREIN, ARE THE PROPERTY OF DIGITAL EQUIPMENT CORPORATION AND SHALL NOT BE REPRODUCED OR COPIED OR USED IN WHOLE OR IN PART AS THE BASIS FOR THE MANUFACTURE OR SALE OF ITEMS WITHOUT WRITTEN PERMISSION. COPYRIGHT © 1982 DIGITAL EQUIPMENT CORPORATION"

WIRE TABLE

ITEM NO.	DESCRIPTION		FROM		TO		PRECUT LENGTH
	AWG	COLOR	CONN	WITH	CONN	WITH	
2	26	ORN	P1-1	---	Q1-1	SLDR	6.00 ±.12
3	26	BLU	P1-2	---	Q1-3	SLDR	6.00 ±.12

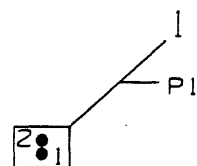
NOTES:  
1. ORIENT Q1 AS SHOWN.



LEGEND		
PART NO.	REV	VARIATION
7018835-00	A1	AS SHOWN

LAYER 2 : FORMAT LAYER  
LAYER 1 : WORK LAYER  
PLOT AT : 1.00

CAUTION: OFF-SHEET PARTS LIST EXISTS  
SEE K-PL-7018835-0-DBP



VIEW "A-A"

FIRST HIGHER ASSY  
D-AD-7018932-0-DBU

DESCRIPTION	DRAWING NO.	PART NO.	ITEM NO.
UNLESS OTHERWISE SPECIFIED DIMENSIONS ARE IN INCHES AND THE FOLLOWING TOLERANCES APPLY (PER DEC STD 114)			

INCHES TOLERANCES	ANGLES ±0° 30°	APPLICABLE DIMENSION RANGE (CHECK ONE)	DIMENSION RANGE IN INCHES					
			OVER 0.2 TO 0.2	OVER 0.2 TO 1.2	OVER 1.2 TO 4.0	OVER 4.0 TO 12.0	OVER 12.0 TO 40.0	OVER 40.0 TO 80.0
.X ± .1 .XX ± .02 .XXX ± .005			<input type="checkbox"/>	<input type="checkbox"/>	<input type="checkbox"/>	<input type="checkbox"/>	<input type="checkbox"/>	<input type="checkbox"/>
	SURFACE QUALITY		<input type="checkbox"/>	<input type="checkbox"/>	<input type="checkbox"/>	<input type="checkbox"/>	<input type="checkbox"/>	<input type="checkbox"/>
	MICROINCHES		<input type="checkbox"/>	<input type="checkbox"/>	<input type="checkbox"/>	<input type="checkbox"/>	<input type="checkbox"/>	<input type="checkbox"/>

REV.	CHG	INITIAL
1		

THIRD ANGLE PROJECTION	DRN A. PINKARD DATE 8 MAR 81	TITLE digital
DO NOT SCALE DRAWING	CHK'D R. PUDELKO DATE 12 MAR 82	CABLE ASSY, INDEX
REMOVE BURRS AND BREAK SHARP CORNERS	DES. ENG. D. WARREN DATE 12 MAR 82	
MATERIAL	RESP. ENG. M. CARMAN DATE 12 MAR 82	DOCUMENT NUMBER
SEE PARTS LIST	MFG. ENG. G. AIKEY DATE 12 MAR 82	SIZE CODE NUMBER C IA 7018835-0-DBU
FINISH	TOP DOC. C-IA-7018835-0-DBU	SCALE NONE SHEET 1 OF 1

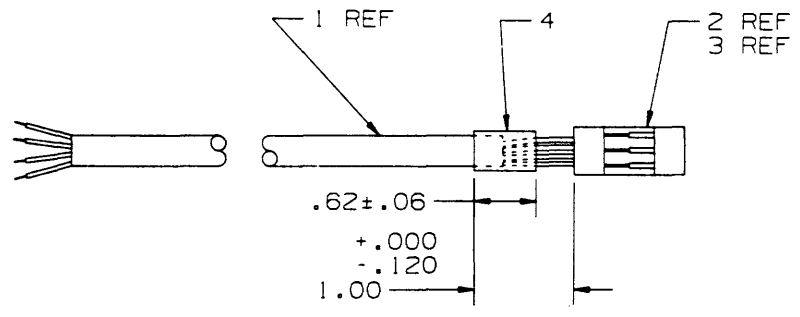
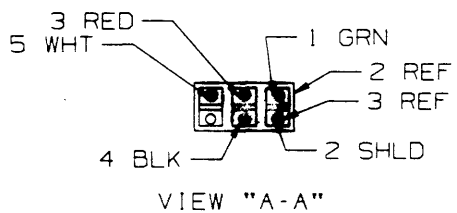
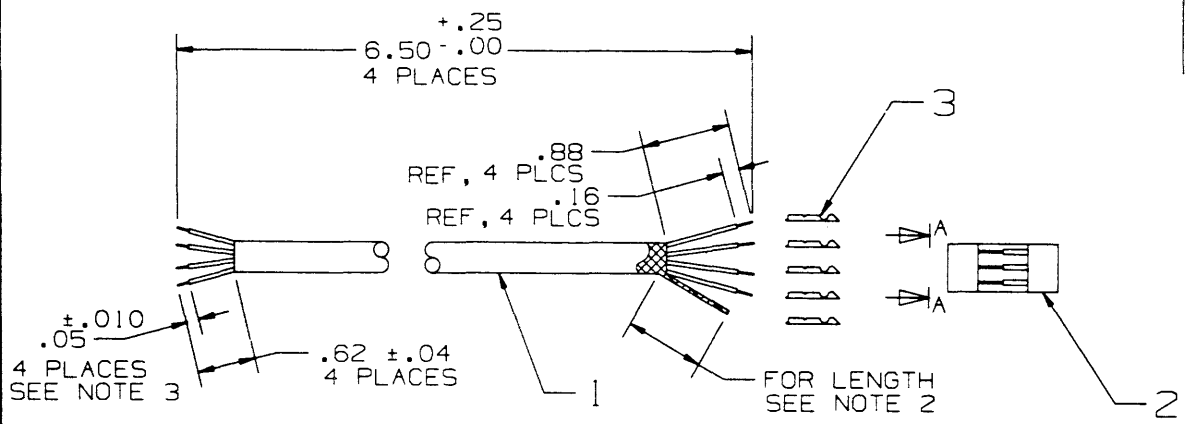
REV. A  
ITEM NO. 7018835-0-DBU

ML 1

THIS DRAWING AND SPECIFICATIONS HEREIN, ARE THE PROPERTY OF DIGITAL EQUIPMENT CORPORATION AND SHALL NOT BE REPRODUCED OR COPIED OR USED IN WHOLE OR IN PART AS THE BASIS FOR THE MANUFACTURE OR SALE OF ITEMS WITHOUT WRITTEN PERMISSION.  
 COPYRIGHT © 1982 DIGITAL EQUIPMENT CORPORATION

LEGEND		
PART NO.	REV	VARIATION
7018418-00	A2	AS SHOWN

- NOTES:
- CLEAR PLASTIC SHEATH OF ITEM 1 SHALL BE RECESSED A MAXIMUM OF .12 FROM BREAKOUT POINT.
  - SHIELD IS USED AS STRAIN RELIEF. WHEN CRIMP SOCKETS (ITEM 3) ARE INSERTED INTO CONNECTOR (ITEM 2), ALL WIRES EXCEPT SHIELD SHALL BE SLACK.
  - CONDUCTORS TO BE TWISTED AND TINNED FOR A LENGTH OF .03 MIN. .03 WILL BE MEASURED FROM END OF CONDUCTOR.



LAYER 2 : FORMAT LAYER  
 LAYER 1 : WORK LAYER  
 PLOT AT : 1.00  
 CAUTION: OFF-SHEET PARTS LIST EXISTS  
 SEE K-PL-7018418-0-DBP

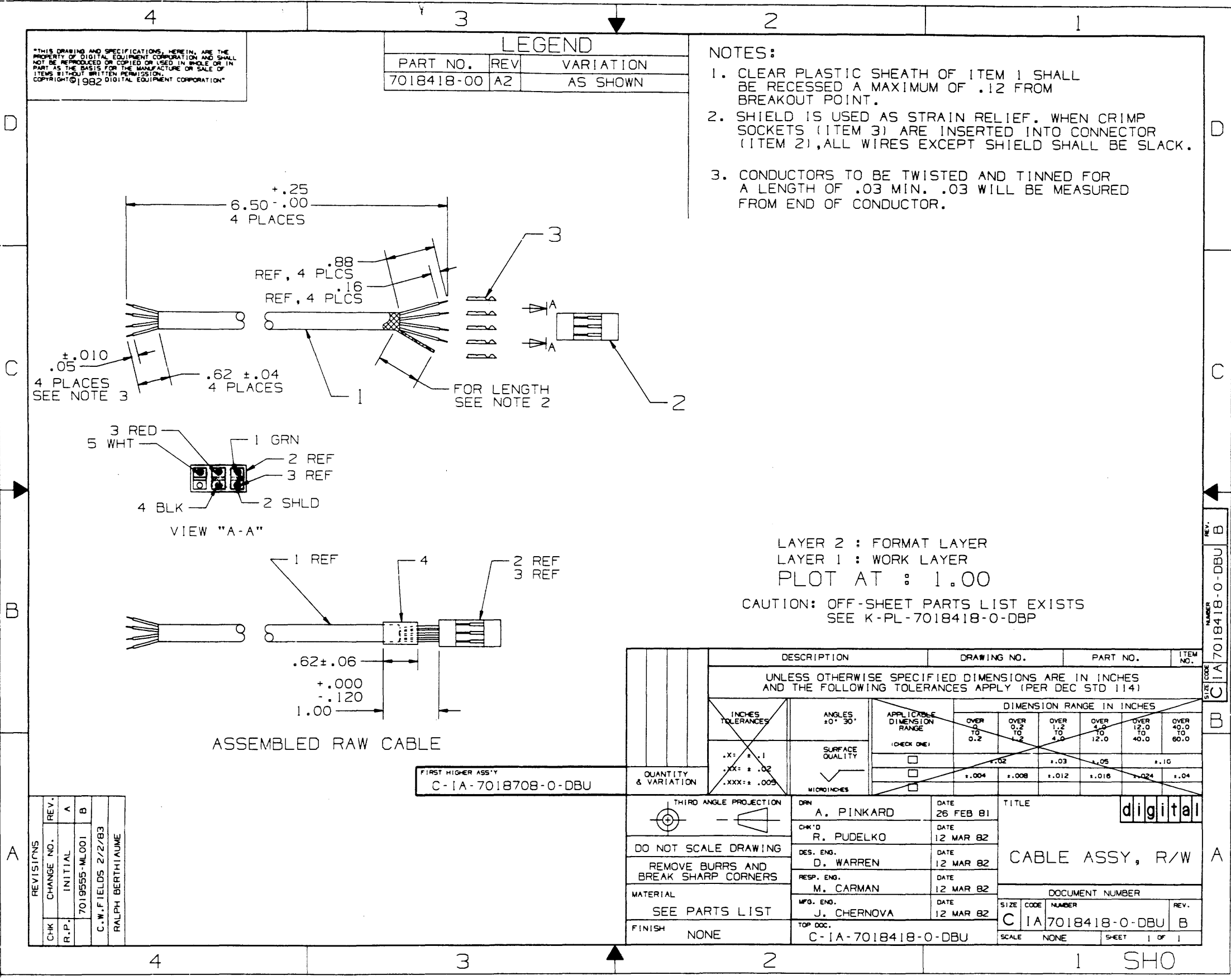
REV.	CHG. NO.	INITIAL	DATE	BY
A				
B				

C.W.F.IELDS 2/2/83  
 RALPH BERTHAUME

FIRST HIGHER ASSY  
 C-1A-7018708-0-DBU

DESCRIPTION	DRAWING NO.	PART NO.	ITEM NO.																								
UNLESS OTHERWISE SPECIFIED DIMENSIONS ARE IN INCHES AND THE FOLLOWING TOLERANCES APPLY (PER DEC STD 114)																											
INCHES TOLERANCES .X: ±.1 .XX: ±.02 .XXX: ±.005	ANGLES ±0°-30'	APPLICABLE DIMENSION RANGE (CHECK ONE)																									
		DIMENSION RANGE IN INCHES																									
SURFACE QUALITY <input checked="" type="checkbox"/> MICROINCHES	<table border="1"> <tr> <th>OVER TO</th> <th>OVER TO</th> <th>OVER TO</th> <th>OVER TO</th> <th>OVER TO</th> <th>OVER TO</th> </tr> <tr> <td>0.2</td> <td>1.2</td> <td>4.0</td> <td>12.0</td> <td>40.0</td> <td>60.0</td> </tr> <tr> <td><input type="checkbox"/></td> <td><input type="checkbox"/></td> <td><input type="checkbox"/></td> <td><input type="checkbox"/></td> <td><input type="checkbox"/></td> <td><input type="checkbox"/></td> </tr> <tr> <td><input type="checkbox"/></td> <td><input type="checkbox"/></td> <td><input type="checkbox"/></td> <td><input type="checkbox"/></td> <td><input type="checkbox"/></td> <td><input type="checkbox"/></td> </tr> </table>			OVER TO	OVER TO	OVER TO	OVER TO	OVER TO	OVER TO	0.2	1.2	4.0	12.0	40.0	60.0	<input type="checkbox"/>	<input type="checkbox"/>	<input type="checkbox"/>	<input type="checkbox"/>	<input type="checkbox"/>	<input type="checkbox"/>	<input type="checkbox"/>	<input type="checkbox"/>	<input type="checkbox"/>	<input type="checkbox"/>	<input type="checkbox"/>	<input type="checkbox"/>
	OVER TO	OVER TO	OVER TO	OVER TO	OVER TO	OVER TO																					
0.2	1.2	4.0	12.0	40.0	60.0																						
<input type="checkbox"/>	<input type="checkbox"/>	<input type="checkbox"/>	<input type="checkbox"/>	<input type="checkbox"/>	<input type="checkbox"/>																						
<input type="checkbox"/>	<input type="checkbox"/>	<input type="checkbox"/>	<input type="checkbox"/>	<input type="checkbox"/>	<input type="checkbox"/>																						
THIRD ANGLE PROJECTION 	DRN A. PINKARD DATE 26 FEB 81	TITLE digital																									
DO NOT SCALE DRAWING	CHK'D R. PUDELKO DATE 12 MAR 82	CABLE ASSY, R/W																									
REMOVE BURRS AND BREAK SHARP CORNERS	DES. ENG. D. WARREN DATE 12 MAR 82	DOCUMENT NUMBER																									
MATERIAL SEE PARTS LIST	RESP. ENG. M. CARMAN DATE 12 MAR 82	SIZE CODE NUMBER C IA 7018418-0-DBU																									
FINISH NONE	MFG. ENG. J. CHERNOVA DATE 12 MAR 82	REV. B																									
	TOP DOC. C-1A-7018418-0-DBU	SCALE NONE SHEET 1 OF 1																									

REV. B  
 NUMBER  
 C IA 7018418-0-DBU



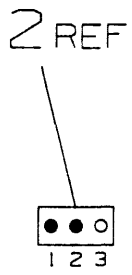
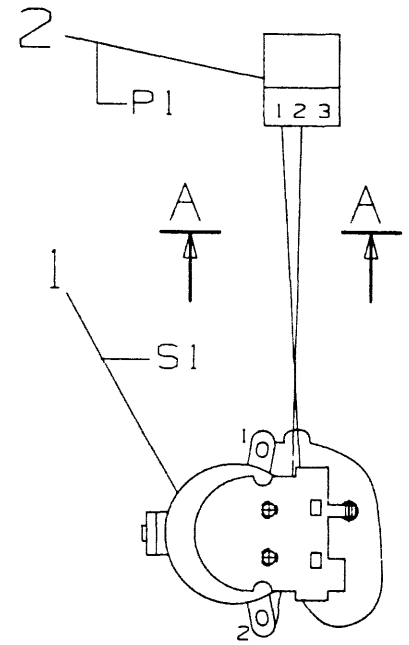
"THIS DRAWING AND SPECIFICATIONS, HEREIN, ARE THE PROPERTY OF DIGITAL EQUIPMENT CORPORATION AND SHALL NOT BE REPRODUCED OR COPIED OR USED IN WHOLE OR IN PART AS THE BASIS FOR THE MANUFACTURE OR SALE OF ITEMS WITHOUT WRITTEN PERMISSION.  
 COPYRIGHT © 1982 DIGITAL EQUIPMENT CORPORATION"

### WIRE TABLE

ITEM NO.	DESCRIPTION		FROM		TO		REMARKS (PRECUT LENGTH)
	AWG	COLOR	CONN	WITH	CONN	WITH	
3	26	BLU	P1-2	—	S1-2	SLDR	4.00 ±.12
4	26	YEL	P1-1	—	S1-1	SLDR	5.00 ±.12

### NOTES:

- ROUTE BLUE WIRE BETWEEN FRAME & COIL HSG.
- ROUTE YELLOW WIRE AROUND BACK OF FRAME THEN BETWEEN FRAME & COIL HSG.



VIEW "A-A"

LEGEND		
PART NO.	REV	VARIATION
7018933-00	A1	AS SHOWN

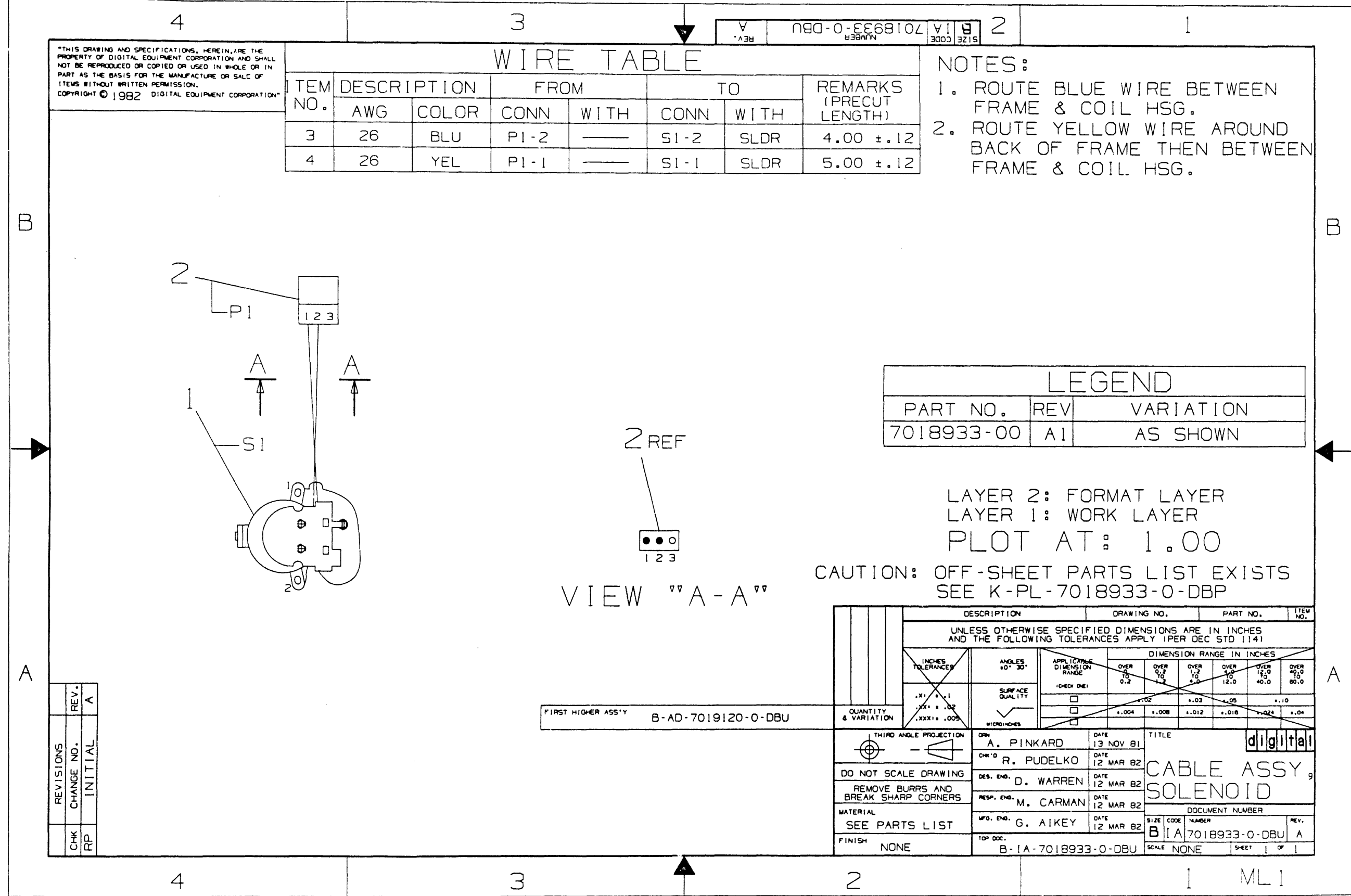
LAYER 2: FORMAT LAYER  
 LAYER 1: WORK LAYER  
 PLOT AT: 1.00

CAUTION: OFF-SHEET PARTS LIST EXISTS  
 SEE K-PL-7018933-0-DBP

REV.	INITIAL
A	

FIRST HIGHER ASS'Y B-AD-7019120-0-DBU

DESCRIPTION	DRAWING NO.	PART NO.	ITEM NO.
UNLESS OTHERWISE SPECIFIED DIMENSIONS ARE IN INCHES AND THE FOLLOWING TOLERANCES APPLY (PER DEC STD 114)			
INCHES TOLERANCES	DIMENSION RANGE IN INCHES		
	OVER 0.2 TO 0.2	OVER 0.2 TO 1.2	OVER 1.2 TO 40.0
ANGLES ±0° 30'	APPLICABLE DIMENSION RANGE		
SURFACE QUALITY	MICROINCHES		
	□	□	□
QUANTITY & VARIATION	TITLE		
THIRD ANGLE PROJECTION	DRW. A. PINKARD	DATE 13 NOV 81	TITLE digital
DO NOT SCALE DRAWING	CHK'D R. PUDELKO	DATE 12 MAR 82	CABLE ASSY 9
REMOVE BURRS AND BREAK SHARP CORNERS	DES. ENG. D. WARREN	DATE 12 MAR 82	SOLENOID
MATERIAL SEE PARTS LIST	RESP. ENG. M. CARMAN	DATE 12 MAR 82	DOCUMENT NUMBER
FINISH NONE	WFO. ENG. G. AIKEY	DATE 12 MAR 82	SIZE CODE NUMBER
	TOP DOC. B-1A-7018933-0-DBU		SCALE NONE SHEET 1 OF 1

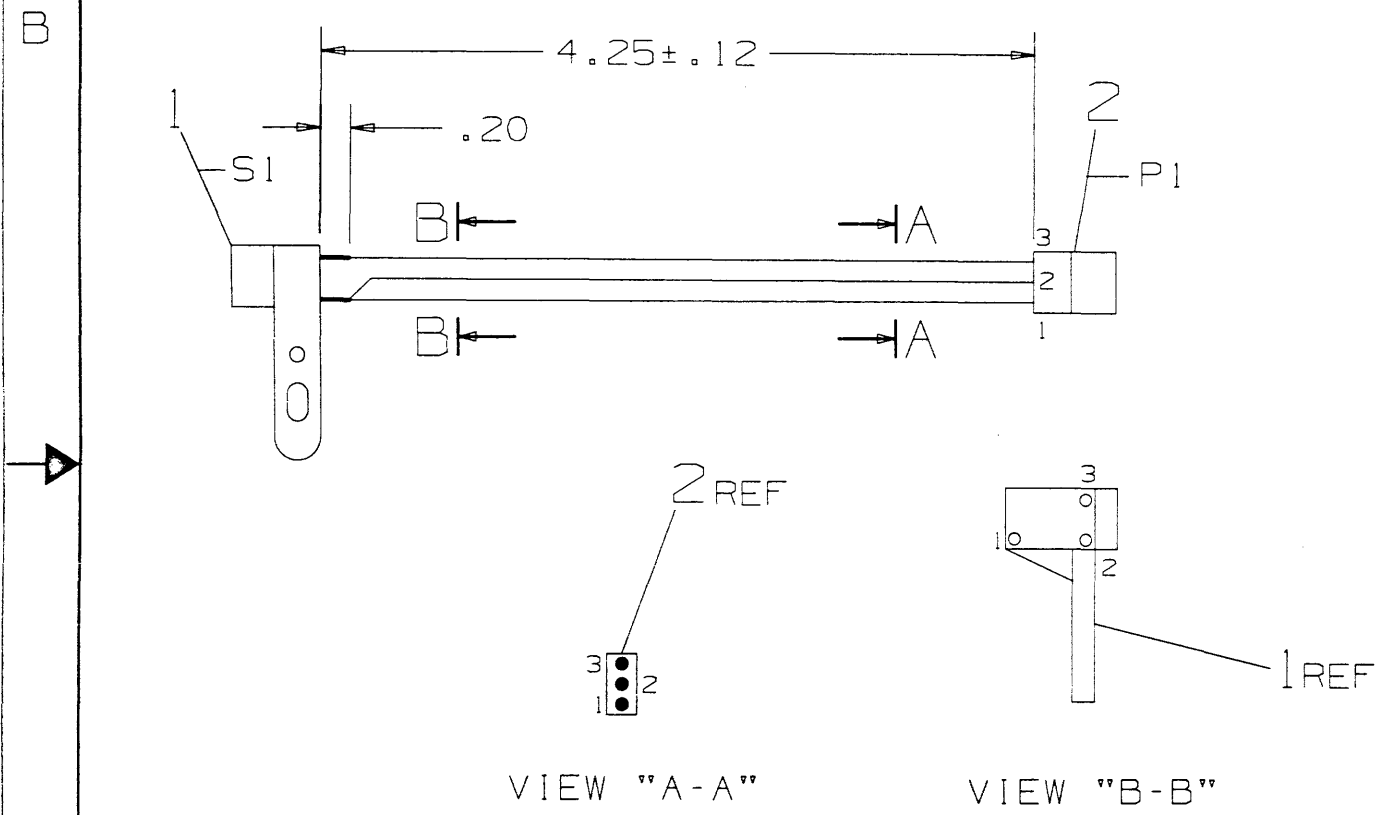


THIS DRAWING AND SPECIFICATIONS, HEREIN, ARE THE PROPERTY OF DIGITAL EQUIPMENT CORPORATION AND SHALL NOT BE REPRODUCED OR COPIED OR USED IN WHOLE OR IN PART AS THE BASIS FOR THE MANUFACTURE OR SALE OF ITEMS WITHOUT WRITTEN PERMISSION.  
 COPYRIGHT © 1982 DIGITAL EQUIPMENT CORPORATION

### WIRE TABLE

ITEM NO.	DESCRIPTION		FROM		TO		REMARKS (PRECUT LENGTH)
	AWG	COLOR	CONN	WITH	CONN	WITH	
3	26	YEL	P1-3	---	S1-3	SLDR	4.25 ± .12
4	26	RED	P1-2	---	S1-1	SLDR	4.25 ± .12
5	26	BLU	P1-1	---	S1-2	SLDR	4.25 ± .12

NOTES:



LEGEND		
PART NO.	REV	VARIATION
7018931-00	A1	AS SHOWN

LAYER 2: FORMAT LAYER  
 LAYER 1: WORK LAYER  
 PLOT AT : 1.00

CAUTION: OFF-SHEET PARTS LIST EXISTS  
 SEE K-PL-7018931-0-DBP

REVISIONS	REV.	INITIAL
CHK		A
RP		

FIRST HIGHER ASS'Y E-UA-RX50-0-DBU

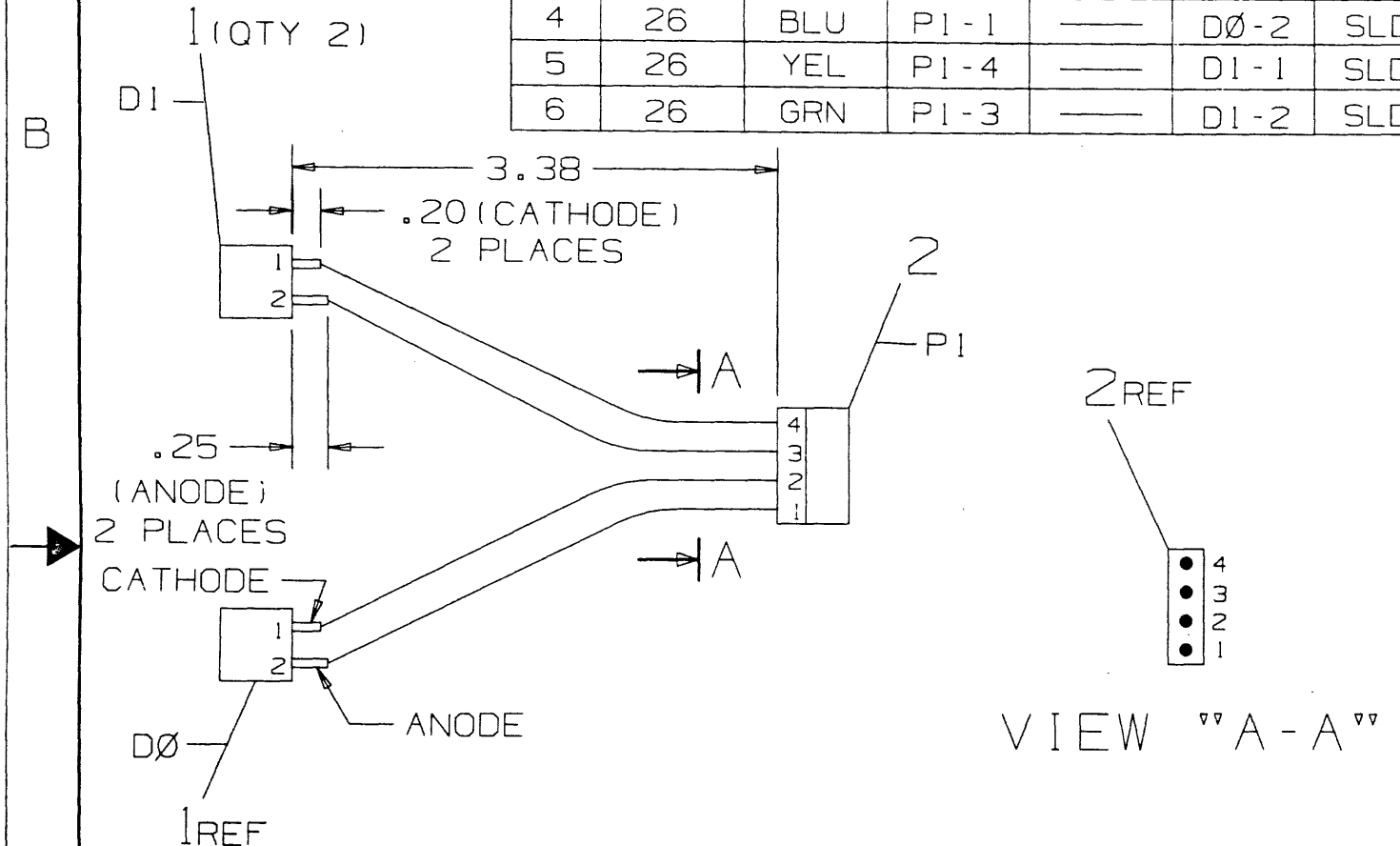
DESCRIPTION	DRAWING NO.	PART NO.	ITEM NO.															
UNLESS OTHERWISE SPECIFIED DIMENSIONS ARE IN INCHES AND THE FOLLOWING TOLERANCES APPLY (PER DEC STD 114)																		
INCHES TOLERANCES .X: ± .1 .XX: ± .02 .XXX: ± .005	ANGLES ±0° 30'	APPLICABLE DIMENSION RANGE																
		DIMENSION RANGE IN INCHES																
SURFACE QUALITY <input checked="" type="checkbox"/> MICRO-INCHES	<table border="1"> <tr> <th>OVER TO</th> <th>OVER TO</th> <th>OVER TO</th> <th>OVER TO</th> <th>OVER TO</th> </tr> <tr> <td>0.2</td> <td>0.2 TO 1.2</td> <td>1.2 TO 4.0</td> <td>4.0 TO 12.0</td> <td>12.0 TO 40.0</td> </tr> <tr> <td>±.02</td> <td>±.03</td> <td>±.05</td> <td>±.08</td> <td>±.10</td> </tr> </table>			OVER TO	OVER TO	OVER TO	OVER TO	OVER TO	0.2	0.2 TO 1.2	1.2 TO 4.0	4.0 TO 12.0	12.0 TO 40.0	±.02	±.03	±.05	±.08	±.10
	OVER TO	OVER TO	OVER TO	OVER TO	OVER TO													
0.2	0.2 TO 1.2	1.2 TO 4.0	4.0 TO 12.0	12.0 TO 40.0														
±.02	±.03	±.05	±.08	±.10														
QUANTITY & VARIATION	<table border="1"> <tr> <td>±.004</td> <td>±.008</td> <td>±.012</td> <td>±.018</td> <td>±.024</td> <td>±.04</td> </tr> </table>			±.004	±.008	±.012	±.018	±.024	±.04									
±.004	±.008	±.012	±.018	±.024	±.04													
THIRD ANGLE PROJECTION <input checked="" type="checkbox"/> THIRD ANGLE <input type="checkbox"/> FIRST ANGLE	DRN A. PINKARD DATE 12 NOV 81	TITLE digital CABLE ASSY, TRACK 0 SENSOR																
DO NOT SCALE DRAWING	CHK'D R. PUDELKO DATE 12 MAR 82	DES. ENG. D. WARREN DATE 12 MAR 82																
REMOVE BURRS AND BREAK SHARP CORNERS	RESP. ENG. M. CARMAN DATE 12 MAR 82	MFG. ENG. G. AIKEY DATE 12 MAR 82																
MATERIAL SEE PARTS LIST	FINISH NONE	TOP DOC. B-1A-7018931-0-DBU																
DOCUMENT NUMBER B-1A-7018931-0-DBU		SCALE NONE	SHEET 1 OF 1															

"THIS DRAWING AND SPECIFICATIONS, HEREIN, ARE THE PROPERTY OF DIGITAL EQUIPMENT CORPORATION AND SHALL NOT BE REPRODUCED OR COPIED OR USED IN WHOLE OR IN PART AS THE BASIS FOR THE MANUFACTURE OR SALE OF ITEMS WITHOUT WRITTEN PERMISSION.  
 COPYRIGHT © 1982 DIGITAL EQUIPMENT CORPORATION"

### WIRE TABLE

ITEM NO.	DESCRIPTION		FROM		TO		REMARKS (PRECUT LENGTH)
	AWG	COLOR	CONN	WITH	CONN	WITH	
3	26	RED	P1-2	---	DØ-1	SLDR	3.50 ± .12
4	26	BLU	P1-1	---	DØ-2	SLDR	3.50 ± .12
5	26	YEL	P1-4	---	D1-1	SLDR	3.50 ± .12
6	26	GRN	P1-3	---	D1-2	SLDR	3.50 ± .12

NOTES:  
 1. BEFORE SOLDERING, ADD ITEM 7 (SHRINK TUBING) 4 PLACES.



LEGEND		
PART NO.	REV	VARIATION
7019041-00	A1	AS SHOWN

LAYER 2: FORMAT LAYER  
 LAYER 1: WORK LAYER  
 PLOT AT: 1.00

CAUTION: OFF-SHEET PARTS LIST EXISTS  
 SEE K-PL-7019041-0-DBP

REV. NO.	REV.	INITIAL
1	A	

FIRST HIGHER ASS'Y B-1A-7019118-0-DBU

DESCRIPTION	DRAWING NO.	PART NO.	ITEM NO.
UNLESS OTHERWISE SPECIFIED DIMENSIONS ARE IN INCHES AND THE FOLLOWING TOLERANCES APPLY (PER DEC STD 114)			
INCHES TOLERANCES	DIMENSION RANGE IN INCHES		
	OVER 0.2 TO 0.2	OVER 0.2 TO 1.2	OVER 1.2 TO 4.0
ANGLES ±0° 30'	SURFACE QUALITY		
APPLICABLE DIMENSION RANGE	MICROINCHES		
QUANTITY & VARIATION	FINISH		
DRN A. PINKARD	DATE 13 NOV 81	TITLE	
CHK'D R. PUDELKO	DATE 12 MAR 82	CABLE ASSY 9	
DES. ENG. D. WARREN	DATE 12 MAR 82	BEZEL LED	
RES. ENG. M. CARMAN	DATE 12 MAR 82	DOCUMENT NUMBER	
MATERIAL	SEE PARTS LIST	SIZE CODE	NUMBER
WFO. ENG. G. AIKEY	DATE 12 MAR 82	B 1A	7019041-0-DBU
FINISH NONE	TOP DOC. B-1A-7019041-0-DBU	SCALE NONE	SHEET 1 OF 1